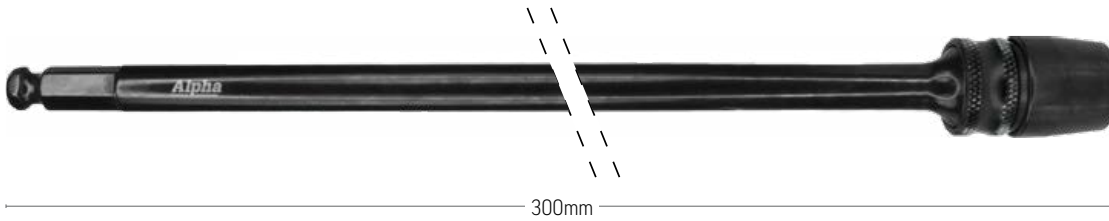




7/16"
QUICK
CHANGE



7/16" HEX
FITMENT



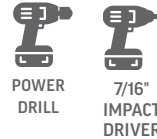
Heavy Duty Extension Bar Quick Release

**HEAVY
DUTY**

- Secure 3 ball locking mechanism grips shanks firmly
- Tapered head design guides extension bar through holes ranging from 28mm and above
- Recessed back sleeve to prevent accidental release
- Quick release head to quickly and easily change drill bits

Code: WAH-QREXT300

SUITS



POWER
DRILL

7/16"
IMPACT
DRIVER

Suits a 7/16" shank including: Holesaw arbors and heavy duty auger drill bits



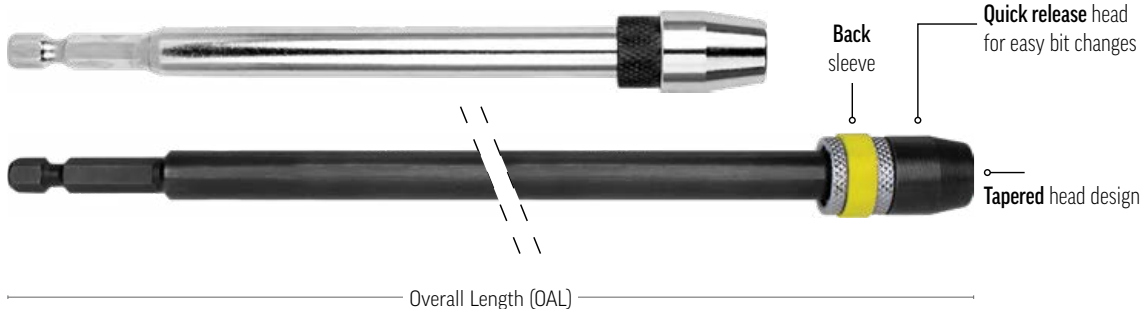
HANG TAG
Supplied on
hang tag



1/4"
QUICK
CHANGE



1/4" HEX
FITMENT



Extension Bars Quick Release

Suits a wide variety of 1/4" hex accessories

- **Tapered head design** guides extension bar through holes (17mm and up)
- Quick release head for efficient bit changing

Head size: 17mm

| METRIC | HANG TAG |
|--------|------------------------|
| OAL mm | CODE 1 PCE |
| 150 | TS08-QREXT150 (Chrome) |
| 300 | TS08-QREXT300 |
| 450 | TS08-QREXT450 |
| 600 | TS08-QREXT600 |
| 900 | TS08-QREXT900 |



HANG TAG
Supplied on
hang tag