

SAURO 1100

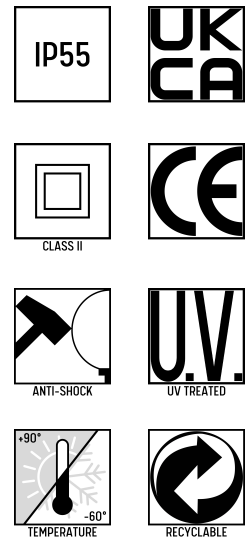
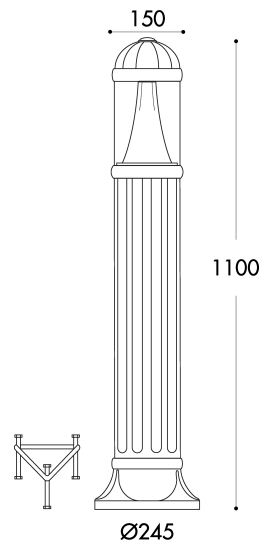
CONTEMPORARY COLLECTIONS

D15.555.AX.D1KCRB

Sauro 1100mm 10W CCT GX53 LED Bollard,
Black



8031874224157



Product Details

Colour (Body/Diffuser)	Black / Clear
Material (Body/Diffuser)	Resin / PMMA
Lamp Type	10W GX53 LED
Colour Temperature	CCT SET
Lamp Quantity	1
Voltage	100-240V - 50/60Hz
Class	Class II
IP Rating	IP55
Weight	4.33 kg
Warranty	1 year on electrical components
Country of Origin	Made in Italy by Fumagalli S.r.L
Commodity Code	9405194090



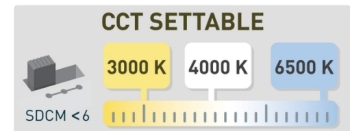
SAURO 1100

CONTEMPORARY COLLECTIONS

Lamp Details

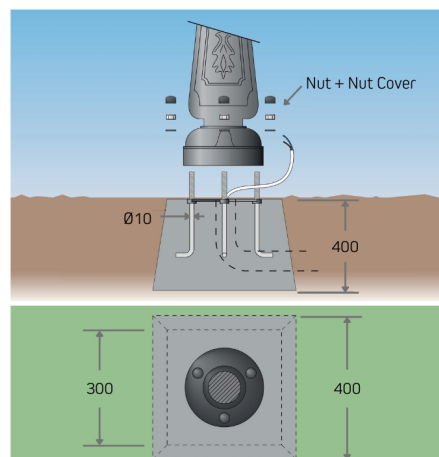
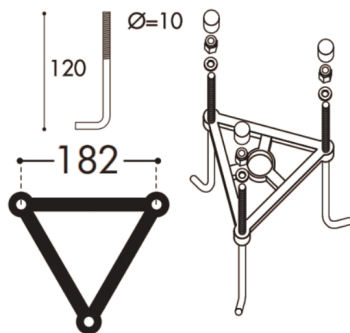
10W GX53

Luminous Flux (Total)	3000K	1285LM
	4000K	1350LM
	6500K	1410LM
Luminous Flux (Use 120°)		1050LM
CRI		>80
Beam Angle		112°
Switching Cycle		>30000
Warm Up Time		0s
Lifetime		25000h
Warranty		2 years



Ground Fixing Details

Cage B



Supplied with cage for fixing into concrete foundation.