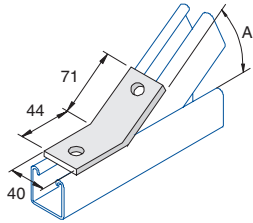


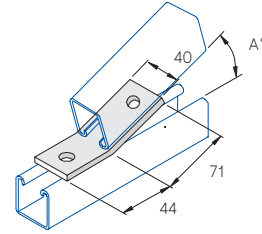
Unistrut Angle Fittings



P1546, P2095 & P2097

HG SS

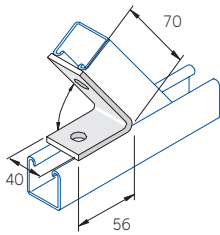
Part No.	Finish		A°	W	Icon
	HG	SS			
P1546	.	.	45°	0.26	10
P2097	.	.	60°	0.26	10
P2095	.	.	75°	0.26	10



P2101 - P2103

HG

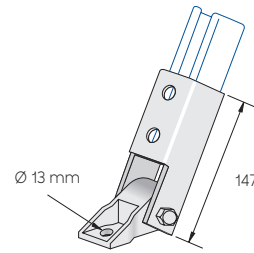
Part No.	Finish	A°	W	Icon
P2101	.	30°	0.26	10
P2103	.	15°	0.26	10



P1186, P2106 & P2108

HG SS

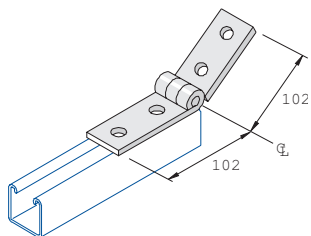
Part No.	Finish		A°	W	Icon
	HG	SS			
P1186	.	.	45°	0.26	20
P2106	.	.	75°	0.26	10
P2108	.	.	60°	0.26	20



P2815S

ZP

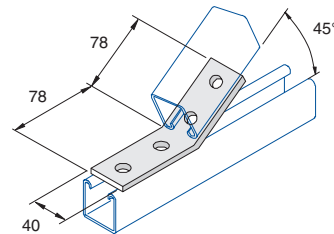
Part No.	Finish	W	Icon
P2815S	ZP	153	10



P1354

ZP

Part No.	Finish	W	Icon
P1354	ZP	0.55	20

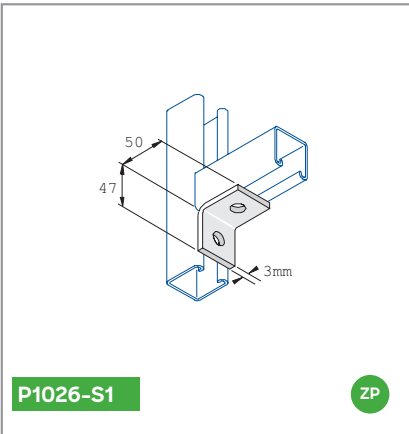


P1074

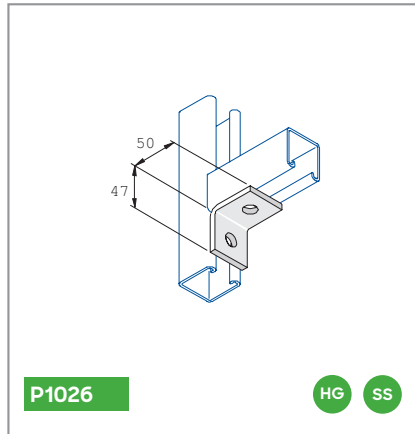
HG SS

Part No.	Finish		W	Icon
	HG	SS		
P1074	.	.	0.35	20

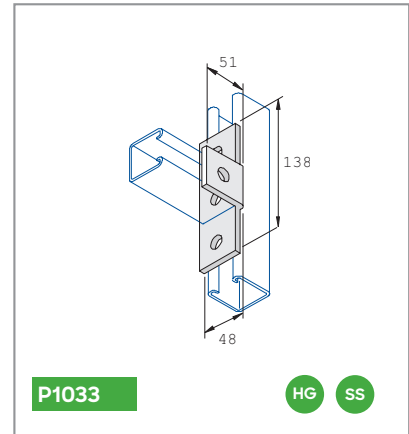
Unistrut Angle Fittings



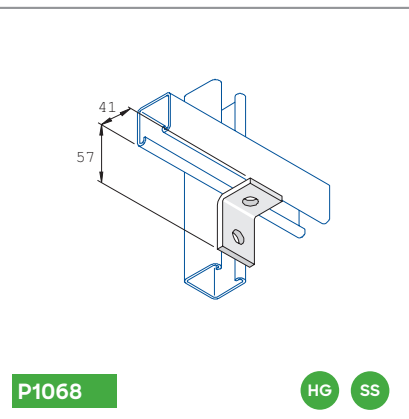
Part No.	Finish	W	U
P1026-S1	ZP	0.07	100



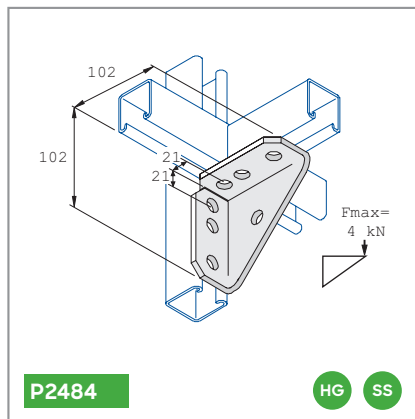
Part No.	Finish	W	U
P1026	HG SS	0.17	100



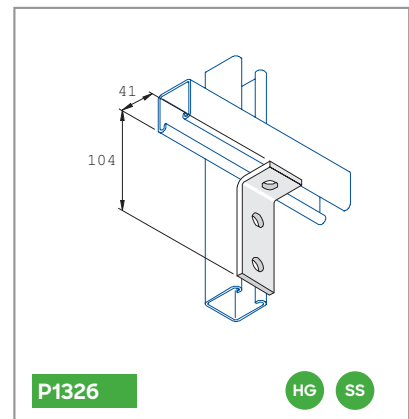
Part No.	Finish	W	U
P1033	HG SS	0.36	25



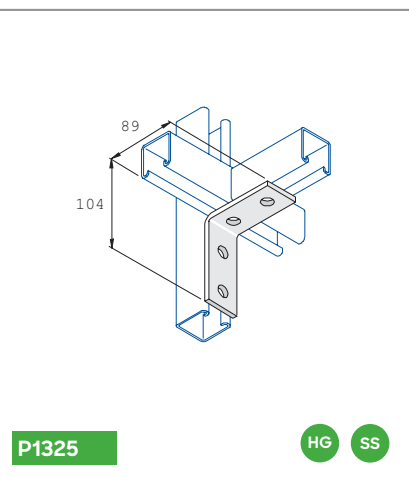
Part No.	Finish	W	U
P1068	HG SS	0.17	25



Part No.	Finish	W	U
P2484	HG SS	0.61	10



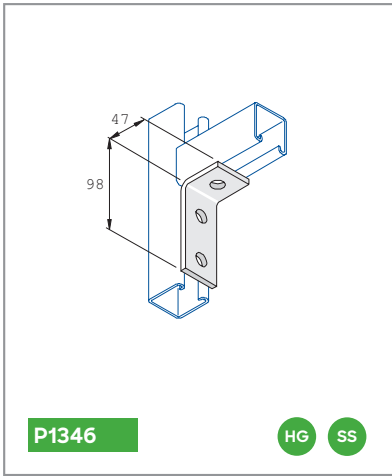
Part No.	Finish	W	U
P1326	HG SS	0.26	25



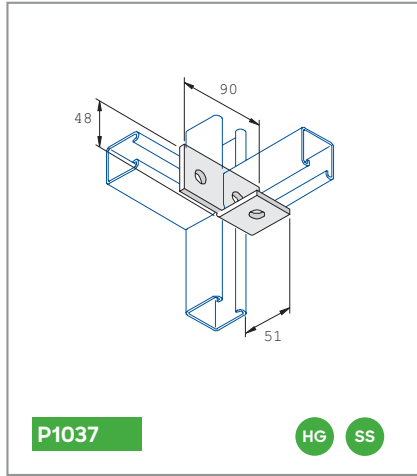
Part No.	Finish	W	U
P1325	HG SS	0.35	25

Stated loadings apply to mild steel products only.

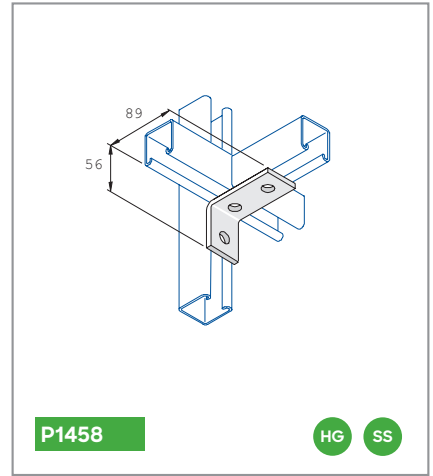
90° Angle Fittings



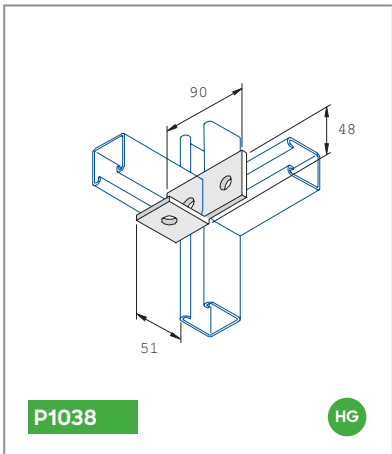
Part No.	Finish		W	L
	HG	SS		
P1346	-	-	0.26	20



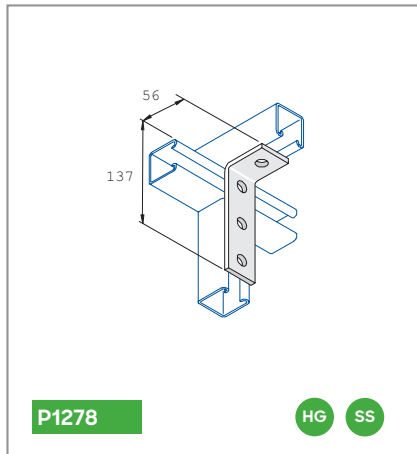
Part No.	Finish		W	L
	HG	SS		
P1037	-	-	0.26	10



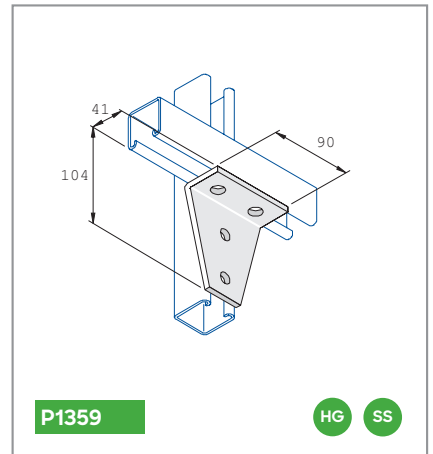
Part No.	Finish		W	L
	HG	SS		
P1458	-	-	0.26	10



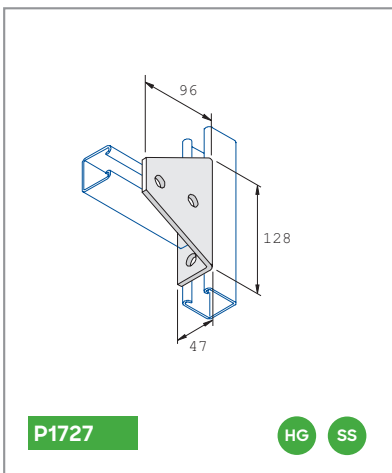
Part No.	Finish		W	L
	HG	SS		
P1038	-	-	0.26	10



Part No.	Finish		W	L
	HG	SS		
P1278	-	-	0.26	20



Part No.	Finish		W	L
	HG	SS		
P1359	-	-	0.48	10



Part No.	Finish		W	L
	HG	SS		
P1727	-	-	0.70	10

Stated loadings apply to mild steel products only.