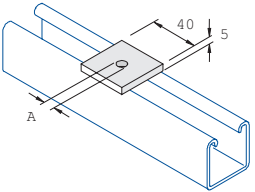
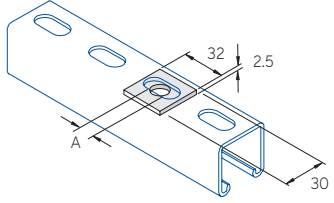


Unistrut Flat Fittings



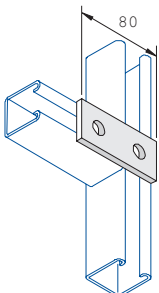
P1019 / P1020 HG SS

Part No.	Finish		(mm)	Hole Dia	W	L
	HG	SS				
P1019	-	-	9	M6/M8	0.06	100
P1020	-	-	13	M10/M12	0.06	100



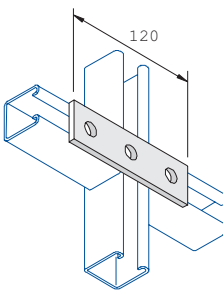
P1063/06 - P1063/12 HG SS

Part No.	Finish		(mm)	Hole Dia	W	L
	PG	SS				
P1063/06	-	-	8	M6	0.02	200
P1063/08	-	-	10	M8	0.02	200
P1063/10	-	-	12	M10	0.02	200
P1063/12	-	-	14	M12	0.02	200



P1065 HG SS

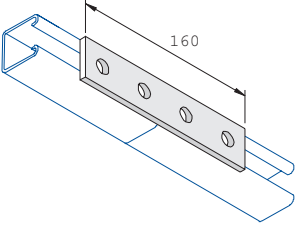
Part No.	Finish		(mm)	W	L
	HG	SS			
P1065	-	-	8	0.17	20



P1066 HG SS

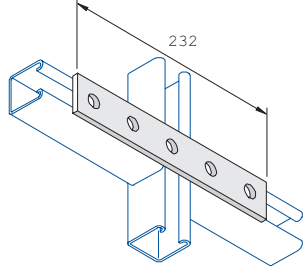
Part No.	Finish		(mm)	W	L
	HG	SS			
P1066	-	-	-	0.25	20

*Not Structural Coupler



P1067 HG SS

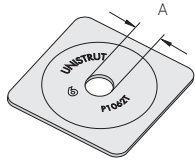
Part No.	Finish		W	L
	HG	SS		
P1067	-	-	0.35	20



P1941 HG SS

Part No.	Finish		W	L
	HG	SS		
P1941	-	-	0.43	20

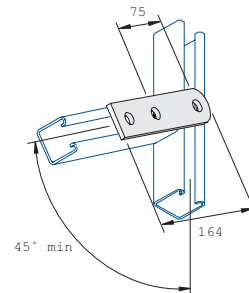
Unistrut Flat Fittings



P1062T/P1064T

PG

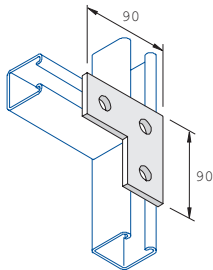
Part No.	Finish	(mm)		w /100	
P1062T	PG	8	M6	3.0	100
P1062AT	.	10	M8	3.0	100
P1063T	.	12	M10	3.0	100
P1064T	.	14	M12	3.0	100



P2322

HG

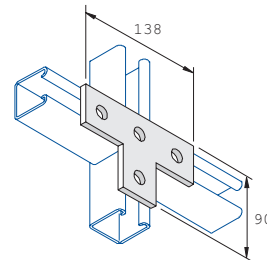
Part No.	Finish	w	
P2322	HG	0.34	25



P1036

HG SS

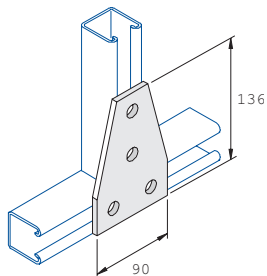
Part No.	Finish	w	
P1036	HG SS	0.26	25



P1031

HG SS

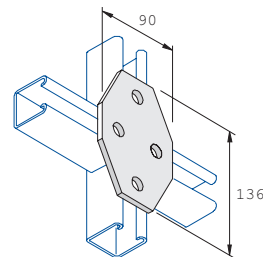
Part No.	Finish	w	
P1031	HG SS	0.36	25



P1358

HG SS

Part No.	Finish	w	
P1358	HG SS	0.48	10



P1580

HG SS

Part No.	Finish	w	
P1580	HG SS	0.37	10