

## Eclipse

Ducted exhaust fan

- Powerful ball bearing motor for superior reliability
- Tri-CCT LED panel provides energy-efficient illumination
- Enjoy quiet operation
- Supplied with flex and plug for easy DIY installation
- 3-year return to base warranty for peace of mind
- Draught stopper for improved energy efficiency



### ORDERING INFORMATION

<b>Order code</b>	16759
<b>Description</b>	240mm 30W Ducted exhaust fan with round white fascia w/Light - Tri-CCT
<b>Item Code</b>	ECLIPSE/240/LT/WH/RD

### MECHANICAL

<b>Product Finish</b>	Matt
<b>Fitting Colour</b>	White
<b>IC Rating</b>	Do not cover
<b>Installation Type</b>	Recessed
<b>IP Rating</b>	IPx4

### ELECTRICAL

<b>Electrical Rating</b>	Class I
<b>Input Frequency</b>	50 Hz
<b>Input voltage</b>	230Vac
In Australia the Input voltage is defined as 230Vac -6%/+10%. This effectively means that the voltage range of these products are 216Vac - 253Vac or 240V +6%	
<b>Working Temp Range</b>	-10 to 40 °C

### LAMP

<b>CCT Configuration</b>	TRI-CCT
<b>Colour Rendering Index (CRI)</b>	>80

### COLOUR TEMPERATURE

#### 12 Watts

Warm White (3000 K)	900 lm
Cool White (4000 K)	1000 lm
DayLight (5000 K)	900 lm

### AIR MOVEMENT

<b>Outlet</b>	100 mm
<b>Noise level</b>	42 dB
<b>Motor Wattage</b>	30 W
<b>Motor Type</b>	Ball bearing
<b>Fan Type</b>	Centrifugal
<b>Fan Size</b>	240
<b>Air extraction</b>	270 m <sup>3</sup> /hr

### DRIVER

<b>Flex &amp; Plug or Lead Length</b>	900 mm
<b>Wiring Type</b>	Re-wireable Flex & Plug (3 pin)

## COMPLIANCE

**Product Design Life** 10 years

The product design life relates to the total product life which includes LEDs, drivers and the enclosure. This is different to the LED lifetime which only refers to the economical lifetime of the LEDs at which time the lumen output has dropped below the L Value. The product design life is calculated at the maximum ambient or working temperature of the product and takes into account the Daily Use.

**Daily Use** 2 hrs

The Daily Use is the recommended time required to meet the product's design life. Installations can exceed this time, however the product design life will be reduced proportionally.

**Standards** AS/NZS 60335.1  
AS/NZS 60335.2.80  
AS/NZS 60598.1  
AS/NZS 60598.2.2  
AS/NZS CISPR 14.1  
AS CISPR 15

## WARRANTY

**Domestic Use Warranty** 3 RTB (Total 3 Years)

**Warranty Operating Hours** 2500 hrs

This product is provided with a warranty up until the stated warranty period or until the stated warranty operating hours has been reached (whichever occurs first).

## DIMENSIONS

**Minimum Ceiling Depth** 220 mm

**Cutout** 240 mm

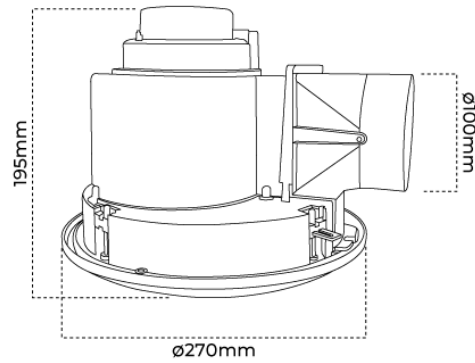
**Product Height** 195 mm

**Product Length** 270 mm

**Product Width** 270 mm

## LINE DRAWINGS

### ECLIPSE/240/LT/WH/RD



## ACCESSORIES

**Order code** 12677

**Description** 125mm Duct Adapter to suit Small Eclipse

**Item Code** AT9492

**Order code** 16782

**Description** 240mm square exhaust fan fascia w/LED Light - matt white - Tri-cct

**Item Code** ECLIPSE/TRIM/240/LT/WH/S Q