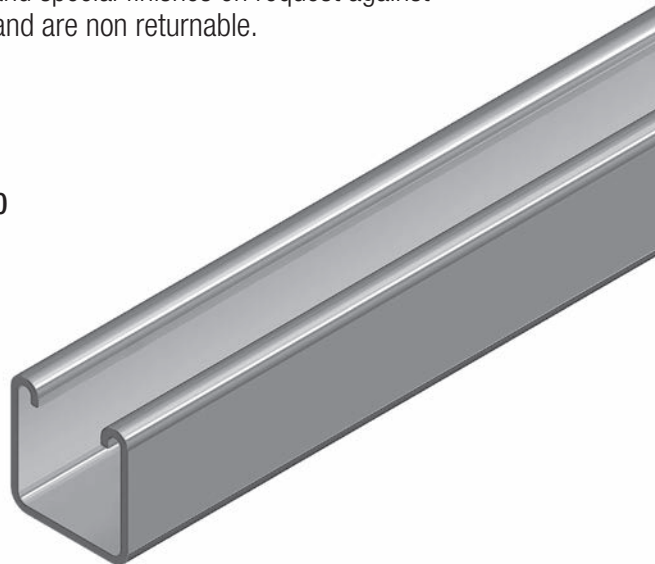
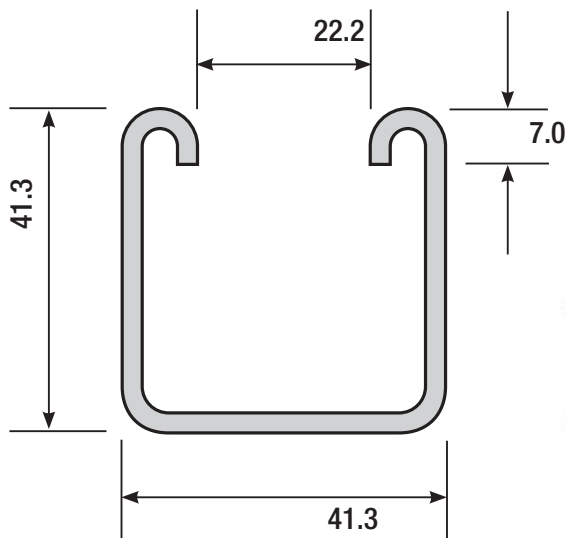


- Material Specification**
- Thickness 2.5 mm (mild steel)
 - 2.5 mm (Stainless Steel)
 - 3.5 mm (Fibreglass - Dimensions 42 x 42)
 - Length 6 metres

Ordering Details - Supplied in standard 6 metre lengths.

Available Finish	Ordering Code
Black (untreated)	B1000B
Pre-Galvanised	B1000G
Hot Dip Galvanised	B1000H
Stainless Steel	B1000S
Fibreglass	B1000FRP (refer Sales Office for load data)

Note - Powder coating and special finishes on request against firm orders only and are non returnable.



Span (mm)	Maximum Allowable Load kg	Deflection at Allowable Load mm
250	1308	0.17
500	654	0.68
750	436	1.53
1000	328	2.72
1250	251	4.25
1500	218	6.13
1750	187	8.34
2000	163	10.90
2250	145	13.80
2500	131	17.03
2750	119	20.61
3000	109	24.56

B1000 Channel

▶ 15.7 kg per length

- CHANNELS 1
- NUTS & BOLTS 2
- CANTILEVER BRACKETS 3
- CHANNEL FITTINGS 4
- LADDERTRAYS 5
- CABLE MESH 6
- STEEL LADDERS 7
- ALUMINIUM LADDERS 8
- FIRE RATED 9
- COVERS 10
- HYGROUND 11