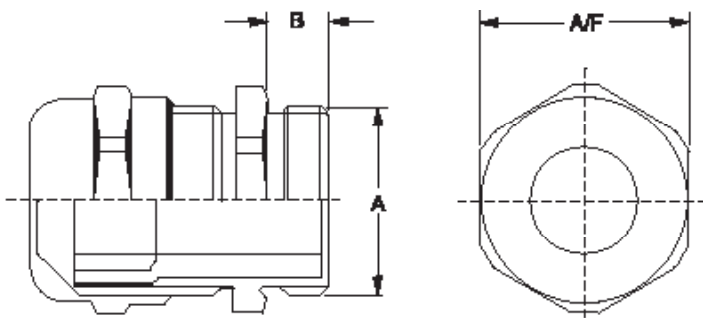
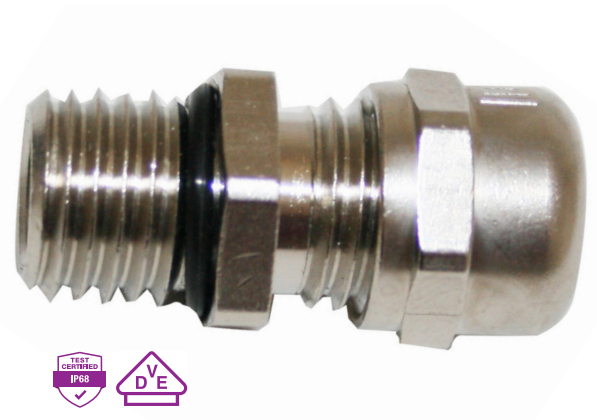


METAL GU METRIC

FEATURES

- Metal gland with camera shutter seal rated IP68 and seals to 5 bar. Complies with IP69k. GU12, GU25, GU50 and GU63 tested to IP69k
- Nickel plated brass gland with insert (CR/NBR, rubber) seal
- Large cable range per gland reduces inventory range. Easy to install
- The perfect gland for unarmoured PVC, XLPE and synthetic cables
- Locknut sold separately, NBR O-ring included



ORDERING INFORMATION

PART NO.	A MOUNTING DIA. (MM)	B THREAD LENGTH (MM)	MIN. CABLE RANGE (MM)	MAX. CABLE RANGE (MM)	WIDTH A/F (MM)	UNIT	QTY
GU12	12	10	3	6	14	EA	1
GU16	16	10	5	9	17	EA	1
GU20	20	10	9	13	22	EA	1
GU25	25	11	11	16	27	EA	1
GU32	32	13	14	21	34	EA	1
GU40	40	13	19	27	43	EA	1
GU50	50	13	24	35	55	EA	1
GU63	63	14	32	42	65	EA	1

In support of our policy of continuous product improvement we reserve the right to change materials and specifications without notice. Drawings, where used, are not to scale. All dimensions are in millimetres and sizes given are approximate. Where possible, technical MSDS data sheets are made available on the website. All products should be installed and used in accordance with manufacturer's instructions provided. Warning: products may be the subject of registered designs and patents. Refer to website for terms and conditions on warranty.

METAL GLANDS - UNARMoured IP68 - GLAND SELECTION CHART

Note: This chart should be used as a guide only. Cable dimensions vary by manufacturer and insulation type.

CABLE AREA (MM ²)	PVC INS. SINGLE	S.D.I. SINGLE	TWO CORE & EARTH	THREE CORE & EARTH	FOUR CORE & EARTH
1		GU16			
1.5	GU12	GU16	GU16/GU20	GU20	GU20
2.5	GU12	GU16	GU20	GU25	GU25
4	GU12	GU16/GU20	GU20/GU25	GU25/GU32	GU25/GU32
6	GU12/GU16	GU16/GU20	GU25	GU32	GU32
10	GU16	GU16/GU20	GU25/GU32	GU32	GU32/GU40
16	GU16	GU20	GU32	GU32/GU40	GU40
25	GU16/GU20	GU20/GU25	GU40	GU40	GU40/GU50
35	GU20	GU25		GU40/GU50	GU50
50	GU20/GU25	GU25/GU32		GU50	GU50/GU63
70	GU25	GU32		GU63	GU63
95	GU25/GU32	GU32/GU40		GU63	
120	GU32	GU40			
150	GU32/GU40	GU40			
185	GU40	GU40/GU50			
240	GU40	GU50			
300	GU40/GU50	GU50/GU63			
400	GU50	GU63			
500	GU50/GU63	GU63			
630	GU63				

Technical Data

Material

Brass nickel plated Polyamide 6 Insert (self extinguishing)
Neoprene seal (self extinguishing)
Neoprene O-ring (self extinguishing)

Continuous Operating Temperature

-20°C to +100°C

Chemical Resistance

Resistant to normal organic solvents, mineral, animal and vegetable oils, fat and petrol.

Conformant Standard

DIN 46 319 - brass glands metric

Threading

According to IEC 423, IEC 423A and EN 60423

IP Rating

IP68

Strain Relief and Twisting Protection

To DIN VDE 0619

Recommended Torque

Product	Torque (Nm)
GU12	6
GU16	6
GU20	6
GU25	7
GU32	10
GU40	10
GU50	10
GU63	10

VERSION 2 10/19

In support of our policy of continuous product improvement we reserve the right to change materials and specifications without notice. Drawings, where used, are not to scale. All dimensions are in millimetres and sizes given are approximate. Where possible, technical MSDS data sheets are made available on the website. All products should be installed and used in accordance with manufacturer's instructions provided. Warning: products may be the subject of registered designs and patents. Refer to website for terms and conditions on warranty.