

## wall mounting socket outlet, switched, interlocked - housing dimensions 225x118



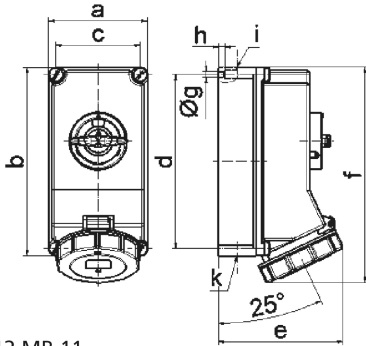
Product description	
BALS-Prd.-Nr	16194
EAN	4024941161947
Product group	Quick-Connect wall mounting socket outlet, switched, interlocked
Current	32A
Number of poles	3p
Arrangement of the phases	2P+PE
Earth 'clock' position	6 h
Voltage	200 up to 250V

Product description	
Frequency	50 and 60Hz
Protection degree	IP67
Colour code	blue
Colour of appliance	Hinged lid blue, Bayonet ring grey, Housing screws grey, Housing bottom grey, Housing top grey, Control knob grey
Connection design	screwless spring terminals as cage clamp with Kontext-contact
Maximum conductor size	10,0 qmm
Cable entry	M25
Dimension of enclosure	225x118 mm (HxW)
Material of enclosure	Polycarbonate
Contacts	The contact carrier is made of high temperature resistant material, the contacts are brass nickel plated

Logistics data	
Weight/pcs	1.06 kg / piece
Packaging	carton
Content amount	1 ST
EAN	4024941161947
Length	275 mm
Width	175 mm
Height	137 mm
Weight	1.185 kg

**Logistics data**

Volume	5,737.5 ccm
--------	-------------



12 MB 11

Ampere	16	16	32	32	32
Polzahl	4	5	3	4	5
a	118,0	118,0	118,0	118,0	118,0
b	225,0	225,0	225,0	225,0	225,0
c	101,0	101,0	101,0	101,0	101,0
d	208,0	208,0	208,0	208,0	208,0
e	127,0	134,0	143,0	143,0	149,0
f	245,0	245,0	255,0	255,0	255,0
g ø	6,5	6,5	6,5	6,5	6,5
h	8,0	8,0	8,0	8,0	8,0
i	2 x M25	2 x M25	2 x M25	2 x M25	2 x M25
k	2 x M25	2 x M25	2 x M25	2 x M25	2 x M25