

wall mounting socket outlet, switched, interlocked - housing dimensions 260x160

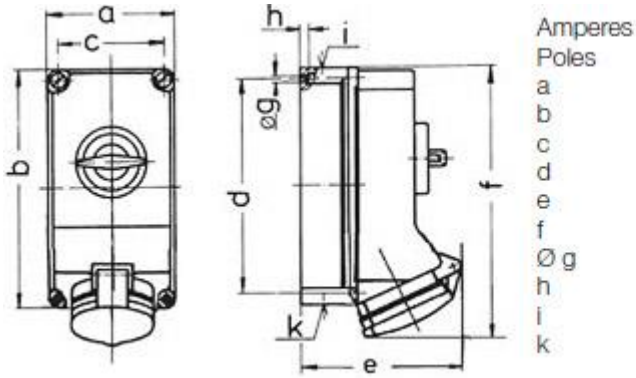


| Product description | |
|---------------------------|---|
| BALS-Prd.-Nr | 16237 |
| EAN | 4024941162371 |
| Product group | GT wall mounting socket outlet, switched, interlocked |
| Current | 63A |
| Number of poles | 5p |
| Arrangement of the phases | 3P+N+PE |
| Earth 'clock' position | 6 h |
| Voltage | 200/346 up to 240/415V |

| Product description | |
|------------------------|--|
| Frequency | 50 and 60Hz |
| Protection degree | IP44 |
| Colour code | red |
| Colour of appliance | Hinged lid red, Housing screws grey, Housing bottom grey, Housing top grey, Control knob grey |
| Connection design | screw terminal as box terminal with Kontex-contact |
| Maximum conductor size | 25,0 qmm |
| Cable entry | top entry 1x M32 bottom entry 2x M32 |
| Dimension of enclosure | 260x160 mm (HxW) |
| Material of enclosure | Polycarbonate |
| Contacts | The contact carrier is made of high temperature resistant material, the contacts are brass nickel plated |

| Logistics data | |
|----------------|------------------|
| Weight/pcs | 2.239 kg / piece |
| Packaging | carton |
| Content amount | 1 ST |
| EAN | 4024941162371 |
| Length | 325 mm |
| Width | 217 mm |
| Height | 210 mm |
| Weight | 2.455 kg |

| Logistics data | |
|----------------|--------------|
| Volume | 13,588.4 ccm |



| | 63 | | |
|-----|--------|--------|--------|
| | 3 | 4 | 5 |
| a | 160 | 160 | 160 |
| b | 260 | 260 | 260 |
| c | 140 | 140 | 140 |
| d | 240 | 240 | 240 |
| e | 184 | 184 | 184 |
| f | 302 | 302 | 302 |
| Ø g | 8.1 | 8.1 | 8.1 |
| h | 10 | 10 | 10 |
| i | 1x M32 | 1x M32 | 1x M32 |
| k | 2x M32 | 2x M32 | 2x M32 |