

## Plug - with screwless terminals



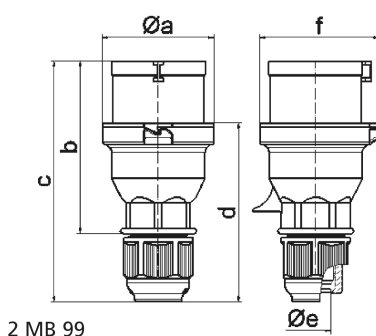
Product description	
BALS-Prd.-Nr	2125
EAN	4024941021258
product category (PG)	QUICK-CONNECT plug
current (A)	16A
number of poles (P99)	3p
number of poles (P)	2P+PE
position of earth contact (H)	4 h
voltage (V)	100 up to 130V
frequency (HZ)	50 and 60Hz

Product description	
protection degree (SA)	IP44
colour code 1 (KF1)	yellow RAL 1012
Colour of appliance	Collar yellow RAL 1012, Housing cover grey RAL 7035, Cable gland grey RAL 7035
connection design (AT)	screwless spring-clamp technology
maximum conductor size (LQ)	2,5 qmm
cable entry (KE)	Cable gland
Height	134mm
Width	53mm
Depth	62mm
material of enclosure (GM)	Polyamide
contact	The contact carrier is made of polyamide, The contacts are brass

Additional technical information	
	Multi-Grip cable gland with gasket and integrated strain relief, Screwless housing connection with snap fastening, For cable diameter from 8 up to max. 18 mm

Logistics data	
Weight/pcs	0.128 kg / Piece
Packaging	Bag
Content amount	1 ST
EAN	4024941021258

Logistics data	
Length	62 mm
Width	53 mm
Height	134 mm
Weight	0.129 kg
Volume	440.324 ccm
Packaging	Carton
Content amount	10 ST
EAN	4024941828673
Length	275 mm
Width	175 mm
Height	137 mm
Weight	1.405 kg
Volume	5,737.5 ccm



Ampere	16	16	16	32	32	32
Polzahl	3	4	5	3	4	5
a ø	53,0	60,0	66,0	74,5	74,5	74,5
b	93,5	100,5	103,0	121,0	121,0	121,5
c	134,0	141,0	142,0	174,0	174,0	174,5
d	97,5	104,5	105,5	128,0	128,0	128,5
e ø	18,0	18,0	18,0	23,0	23,0	23,0
f	57,5	64,5	70,5	78,0	78,0	80,0
Leiter mm <sup>2</sup> min	1	1	1	2,5	2,5	2,5
Leiter mm <sup>2</sup> max	2,5	2,5	2,5	6	6	6