

## Plug - with screwless terminals



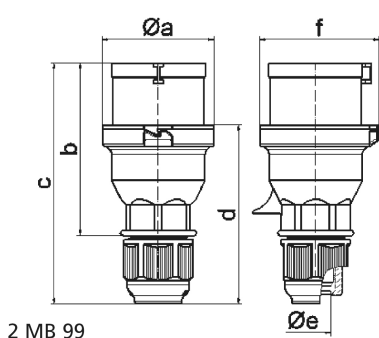
Product description	
BALS-Prd.-Nr	2137
EAN	4024941021371
product category (PG)	QUICK-CONNECT plug
current (A)	32A
number of poles (P99)	3p
number of poles (P)	2P+PE
position of earth contact (H)	4 h
voltage (V)	100 up to 130V
frequency (HZ)	50 and 60Hz

Product description	
protection degree (SA)	IP44
colour code 1 (KF1)	yellow RAL 1012
Colour of appliance	Collar yellow RAL 1012, Housing cover grey RAL 7035, Cable gland grey RAL 7035
connection design (AT)	screwless spring-clamp technology
maximum conductor size (LQ)	6,0 qmm
cable entry (KE)	Cable gland
Height	176mm
Width	79mm
Depth	83mm
material of enclosure (GM)	Polyamide
contact	The contact carrier is made of polyamide, The contacts are brass

Additional technical information	
	Multi-Grip cable gland with gasket and integrated strain relief, Screwless housing connection with snap fastening, For cable diameter from 11 up to max. 23,5 mm

Logistics data	
Weight/pcs	0.223 kg / Piece
Packaging	Bag
Content amount	1 ST
EAN	4024941021371

Logistics data	
Length	83 mm
Width	79 mm
Height	176 mm
Weight	0.224 kg
Volume	1,154.032 ccm
Packaging	Carton
Content amount	10 ST
EAN	4024941818667
Length	295 mm
Width	185 mm
Height	215 mm
Weight	2.394 kg
Volume	9,975 ccm



Ampere	16	16	16	32	32	32
Polzahl	3	4	5	3	4	5
a ø	53,0	60,0	66,0	74,5	74,5	74,5
b	93,5	100,5	103,0	121,0	121,0	121,5
c	134,0	141,0	142,0	174,0	174,0	174,5
d	97,5	104,5	105,5	128,0	128,0	128,5
e ø	18,0	18,0	18,0	23,0	23,0	23,0
f	57,5	64,5	70,5	78,0	78,0	80,0
Leiter mm <sup>2</sup> min	1	1	1	2,5	2,5	2,5
Leiter mm <sup>2</sup> max	2,5	2,5	2,5	6	6	6