

Connector - with screwless terminals



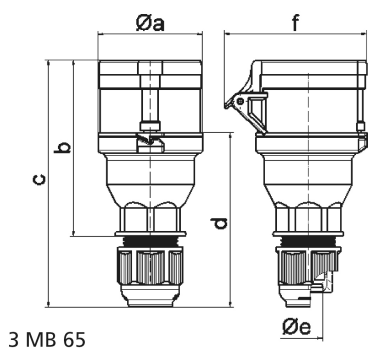
Product description	
BALS-Prd.-Nr	3130
EAN	4024941031301
product category (PG)	Connector QUICK-CONNECT
current (A)	16A
number of poles (P99)	4p
number of poles (P)	3P+PE
position of earth contact (H)	6 h
voltage (V)	380 up to 415V
frequency (HZ)	50 and 60Hz

Product description	
protection degree (SA)	IP44
colour code 1 (KF1)	red RAL 3000
Colour of appliance	Housing cover red RAL 3000, Collar red RAL 3000, Hinged lid red RAL 3000, Cable gland green RAL 6002
connection design (AT)	screwless spring terminals as cage clamp with Kontex-contact
maximum conductor size (LQ)	2,5 qmm
cable entry (KE)	Cable gland
Height	162mm
Width	60mm
Depth	79mm
material of enclosure (GM)	Polyamide
contact	The contact carrier is made of polyamide, The contacts are brass

Additional technical information	
	Multi-Grip cable gland with gasket and integrated strain relief, Screwless housing connection with snap fastening, For cable diameter from 8 up to max. 18 mm

Logistics data	
Weight/pcs	0.17 kg / Piece
Packaging	Bag
Content amount	1 ST

Logistics data	
EAN	4024941031301
Length	79 mm
Width	60 mm
Height	162 mm
Weight	0.171 kg
Volume	767.88 ccm
Packaging	Carton
Content amount	10 ST
EAN	4024941958288
Length	275 mm
Width	175 mm
Height	137 mm
Weight	1.825 kg
Volume	5,737.5 ccm



3 MB 65

Ampere	16	16	16	32	32	32
Polzahl	3	4	5	3	4	5
a ø	53,0	60,0	66,0	74,5	74,5	74,5
b	100,5	112,5	113,5	133,5	133,5	134,5
c	141,0	153,0	154,0	186,0	186,0	187,0
d	97,5	104,5	105,5	127,5	127,5	128,5
e ø	18,0	18,0	18,0	23,0	23,0	23,0
f	76,0	79,0	86,0	92,0	92,0	97,0
Leiter mm ² min	1	1	1	2,5	2,5	2,5
Leiter mm ² max	2,5	2,5	2,5	6	6	6