

CHALLENGER

High Lumen LED Floodlights 460w, 600w

Models: SLFLO460B, SLFLO600B



SLFLO460B




SLFLO600B

Installation Manual

Introduction

Thank you for purchasing your Challenger high lumen led floodlight, these instructions should be read carefully and retained for further reference and maintenance.

IMPORTANT

- Installation must be carried out by a skilled electrician who is familiar with the appropriate standards and technical requirements of the appliance also taking in to consideration the latest building regulations.
- The person carrying out the installation is to check and verify that the total load on the circuit, including the rating of the cable, fuse and/or circuit breaker is not exceeded.
- Ensure there is adequate ventilation around the luminaire
- Ensure the AC mains supply is isolated when installing or servicing.
- This product must be earthed. 
- Once illuminated DO NOT look or stare at the LED fitting directly when in close proximity.
- Never modify the luminaire, there are no user serviceable parts inside.
- The luminaire has a selectable wattage output (600W model only). **Please ensure that the correct wattage output** has been selected as this will have an impact on the lighting design to ensure the correct light levels are achieved.

Specification

- High lumen output LED floodlights
- Slimline lightweight design
- Polycarbonate encapsulated lens module
- Lumiled 5050 LED chip
- Pre-wired cable – 1m
- 90° x 120° beam angle
- 5000k Colour temperature
- IP65 ingress protection
- IK09 impact protection
- 50,000 hours rated life
- Input voltage – 100-277V AC 50/60Hz
- Power factor - PF≥0.9
- CRI rating - >70
- Operating temperature -40° ~ +40°c
- 5-year warranty
- Selectable wattage on the SLFLO600B

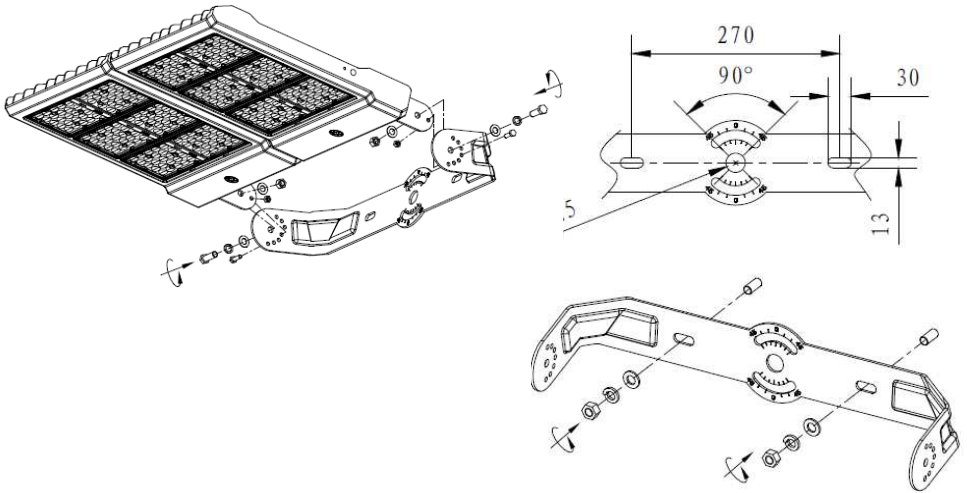
Model	Lumens	Wattage	Dimensions (mm)	Input Current	Weight
SLFLO460B	65996	460w	340x647x115	5.6A	11.88kg
SLFLO600B	81229	600w	651x323x136	8A	15.94kg
	71936	500w			
	60014	400w			
	46343	300w			

Installation

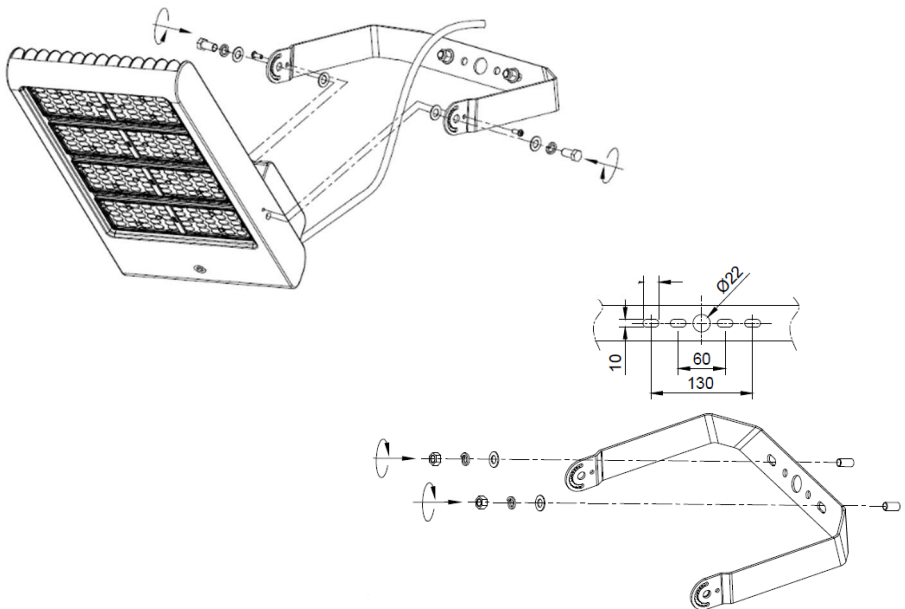
- Ensure the electrical AC power is switched OFF before and during installation
- For the AC supply cable and connections, a cable that is rated to 90°C should be used
- Ensure the luminaire is securely fixed to a surface/ceiling free from vibration
- When adjusting the angle of the fitting please ensure that there is enough slack in the cable so the range of movement of the luminaire is unhindered
- A suitable IP rated junction box is required for the premade AC electrical connections (Brown = Live, Blue = Neutral and Yellow/Green = Earth). This luminaire must be earthed
- Check the lighting fixture is firmly fixed and the Allen bolts have been inserted in to the bracket
- **Ensure that the correct wattage output** has been selected (600W model only) as this will have an impact on the lighting design to ensure the correct light levels are achieved.
- Check all the connections are wired and terminated correctly

Refer to the following diagram when you install the fixture:

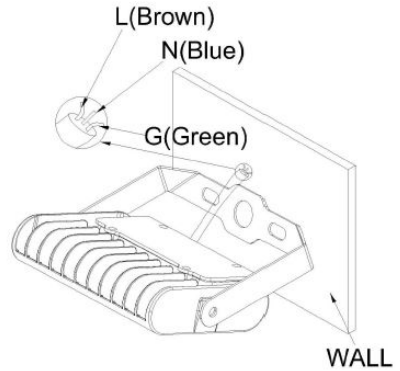
SLFLO460B:



SLFLO600B:



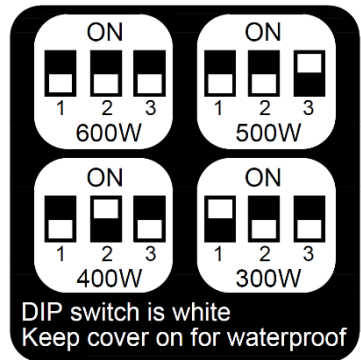
1. Turn off the AC Supply
2. Fix the luminaire bracket to the surface.
3. Keep enough slack in cable to ensure when adjusting the angle, the movement is unhindered



4. Connections- AC-Live: Brown, AC-Neutral: Blue, GND Earth: Yellow-Green.
5. **Ensure that the correct wattage output** has been selected (600W model only) as this will have an impact on the lighting design to ensure the correct light levels are achieved.
6. Check the circuit and connections are correct prior turning on the AC supply

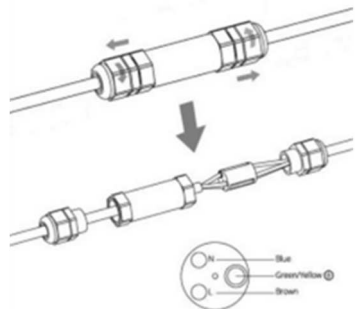
Adjust the wattage via dip switch
(please remove the screw on cap and replace)

Ensure that the correct wattage output has been selected (600W model only) as this will have an impact on the lighting design to ensure the correct light levels are achieved.



SLFLO600B

Please Note: The cable must be connected either through a waterproof connector or junction box. The waterproof connector or junction box is not supplied and will need to purchase separately.



Maintenance

Repairs should only be carried out by a suitably qualified person. Regular cleaning of luminaires should be carried out at regular intervals not only to ensure good optical performance but also ensure that dirt does not accumulate to such an extent as to impair the electrical or thermal safety of the fitting. This should be done with the luminaire switched off/isolated and a soft damp cloth should be used, do not use any chemicals or abrasives.

Light Source Maintenance

The light source of this luminaire is not replaceable; in case the light source needs to be replaced (e.g. at the end of its life), the whole luminaire shall be replaced.

Warranty

This product is covered by an extended warranty for 5 years from date of purchase.

The extended warranty is available for installations in the UK or Ireland by a competent person in accordance with the current building and IEE wiring regulations.

If the defective product is no longer available, then Challenger may provide alternatives of similar specification and quality.

The ambient temperatures and environment and voltage range according to manufacturer specifications are not exceeded

The product is not exposed to any adverse mechanical stresses or impact

For full terms and conditions in regard to our extended warranty please refer to the website.



Follow us for all the latest news and product information

CHALLENGER SECURITY PRODUCTS

10 Sandersons Way,
Blackpool, FY4 4NB

Email: enquiries@challenger.co.uk

Web: www.challenger.co.uk

Due to our policy of continuous improvement we reserve the right to change specification without prior notice. Errors and omissions excepted. These instructions have been carefully checked prior to publication. However, no responsibility can be accepted by Challenger for any misinterpretation of these instructions.

