



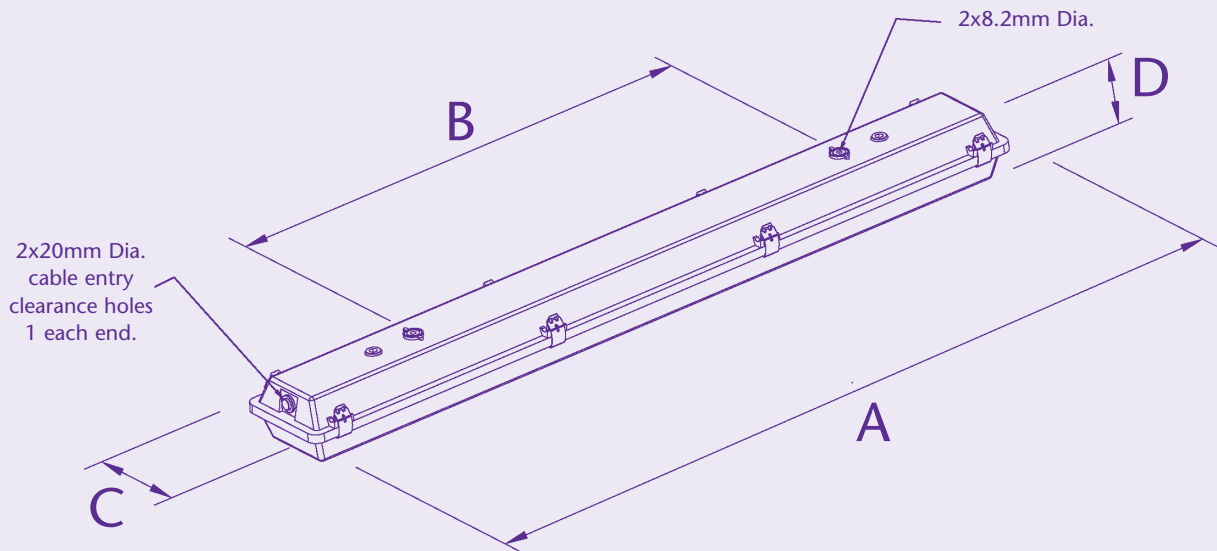
The Sterling II Emergency features the same construction and EOL protected ballast as the standard product. In addition it also provides three hours of battery backup for emergency operation in the case of a power outage.

Standard Specification		Features
Type of Protection	Ex nA (Non-sparking)	Polycarbonate diffuser
ATEX Classification	Group II Category 3 GD	Through wiring as standard
Area Classification	Zone 2 and Zone 22 areas to EN 60079-10-1 and EN 60079-10-2 with installation to EN 60079-14	High frequency control gear gives 50/60Hz operation, high power factor correction and regulation of lamp output.
Certificate	EC Type Examination Certificate Sira 06ATEX4348X IEC Ex SIR 06.0108X	Long life nickel cadmium batteries
Coding	⊕ II 3 GD Ex nA II T4 (refer to table for T rating and Ambient)	Switchable mains supply for local operation
Enclosure	GRP with polycarbonate diffuser and stainless steel retaining clips	LED charge indicator
Reflector	White polyester painted zinc coated steel	End of life (EOL) protected
Entry	2 x 20mm diameter holes, 1 at each end	
Termination	4 core 4mm <sup>2</sup> max. conductor with through wiring 16A rating	International Approvals
Installation	Two clearance holes for M8 fasteners located on rear of body, sealing washers provided	
Control Gear	High Frequency ballast, electronic/inverter	ATEX IECEx Compliant
Relamping	Access via front diffuser secured by quick release stainless steel clips	
Burning Position	Universal	
Ingress Protection	IP65 to EN 60529	
Electrical Supply	220-254V 50/60Hz	
Battery	Ni-Cd (6V)	
Duration	3 hours	
Emergency Output	18W 32% of one lamp 36W 14% of one lamp 58W 9% of one lamp	

Std. Cat No.	Wattage	Voltage	TClass	T°(Dust)	Ambient °C	Weight
ST2N/218/BI/EM	2x18W	220V-254V	T4	85	-20 to +40	4.6kg
ST2N/136/BI/EM	1x36W	220V-254V	T4	85	-20 to +40	5.3kg
ST2N/236/BI/EM	2x36W	220V-254V	T4	85	-20 to +40	5.6kg
ST2N/158/BI/EM	1x58W	220V-254V	T4	85	-20 to +40	5.7kg
ST2N/258/BI/EM	2x58W	220V-254V	T4	85	-20 to +40	6.1kg

### Options – Suffix to Catalogue No.

<b>/120</b>	110-130V 50/60Hz AC - 36W & 58W only (Note: Upper ambient, limit of +30°C)	<b>/NM</b>	Non maintained version (Single lamp version only)
<b>/MF</b>	Mains fuse	<b>/BMT</b>	Battery management test



	2x18W	1x36W / 2x36W	1x58W / 2x58W
A	702	1312	1612
B	500	800	1100
C	172	102 / 172	102 / 172
D	106	106	106

### Accessories Should be ordered separately

### Catalogue Order Code

Pole mounting bracket assembly (38-42mm diameter poles)	<b>SPOL4-100004</b>
Pole mounting bracket assembly (48-52mm diameter poles)	<b>SPOL4-100005</b>
Pole mounting bracket assembly (58-62mm diameter poles)	<b>SPOL4-100006</b>
Hook type ceiling bracket assembly	<b>S3004-100003</b>
Ceiling bracket assembly	<b>S3004-100001</b>
Flush mounting wall bracket assembly	<b>S3004-100004</b>
18W wall mounting outreach bracket (use with SPOL4-100004)	<b>NPRO4-0008</b>
36W wall mounting outreach bracket (use with SPOL4-100004)	<b>NPRO4-0012</b>
58W wall mounting outreach bracket (use with SPOL4-100004)	<b>NPRO4-0022</b>

Product design and specifications are subject to change without notice, please check the Chalmit website for latest specifications.

