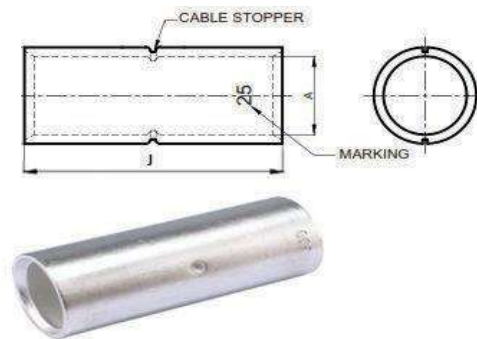


COPPER COMPRESSION CRIMP LINKS

STANDARD RANGE



Technical Data:

- Electrolytic Copper 99.95% purity
- Annealed material ensures optimal crimping properties
- Tin plated surface
- Internal chamfer for easy cable insertion
- Operating temperature – 55°C to 155°C
- For flexible and stranded CU conductors
- Voltage rating – according to AS/NZS4325-Part 1 up to 30kV (Um 36kV)

CATALOGUE NO	CABLE mm ²	BARREL ID (mm)	TOTAL LENGTH (mm)
		A	J
LINK-CU-1.5	1.5	1.8	22
LINK-CU-2.5	2.5	2.4	22
LINK-CU-4	4	3.1	22
LINK-CU-6	6	3.8	22
LINK-CU-10	10	4.7	22
LINK-CU-16	16	5.5	44
LINK-CU-25	25	7.1	47
LINK -CU-35	35	8.2	47
LINK-CU-50	50	9.5	47
LINK-CU-70	70	11.2	50
LINK-CU-95	95	13.5	54
LINK-CU-120	120	15.6	65
LINK-CU-150	150	16.7	65
LINK-CU-185	185	18.4	65
LINK-CU-240	240	21.2	90
LINK-CU-300	300	23.5	90
LINK-CU-400	400	26.8	90
LINK-CU-500	500	30	112
LINK-CU-630	630	34	112
LINK-CU-800	800	39.3	230
LINK-CU-1000	1000	44	230