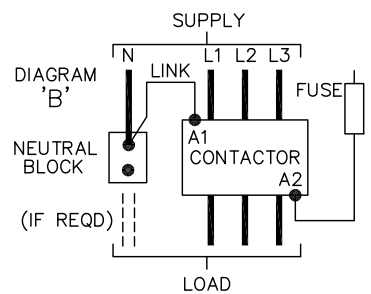
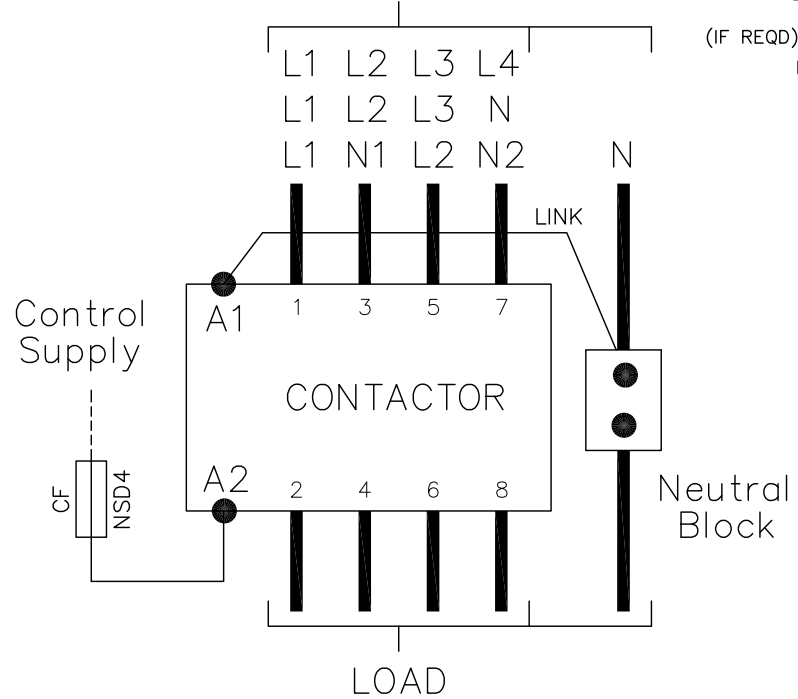


SUPPLY EXAMPLES



SINGLE POLE & NEUTRAL: (CONNECTION DIAGRAM 'A')

RATINGS PER POLE - AMPS. (APPROX. kW AT 240v)

ORDER REFERENCE		HEATING & GENERAL LOAD BS.5424 AC1	LIGHTING	
ENCLOSED	CHASSIS MOUNTED		FLUORESCENT - MERCURY VAPOUR	TUNGSTEN
3HS1S	3HS1U	60 (14)	40 (9)	30 (7)
3HS3S	3HS3U	100 (24)	65 (15)	55 (13)
3HS5S	3HS5U	180 (43)	120 (28)	95 (22)
3HS6S	3HS6U	275 (66)	150 (36)	125 (30)

TRIPLE POLE & NEUTRAL: (CONNECTION DIAGRAM 'B')

ORDER REFERENCE		HEATING & GENERAL LOAD BS.5424 AC1	LIGHTING	
ENCLOSED	CHASSIS MOUNTED		FLUORESCENT - MERCURY VAPOUR	TUNGSTEN
3HT1S	3HT1U	25 (6)	16 (4)	13 (3)
3HT3S	3HT3U	40 (9)	27 (6)	22 (5)
3HT5S	3HT5U	72 (17)	48 (11)	39 (9)
3HT6S	3HT6U	110 (26)	60 (14)	50 (12)
3TEH 13	3TUH 13	135 (32)	80 (19)	56 (13)
3TEH 15	3TUH 15	150 (36)	93 (22)	60 (14)
3TEH 18	3TUH 18	180 (43)	125 (30)	63 (15)
3TEH 22	3TUH 22	220 (52)	151 (36)	90 (21)
3TEH 25	3TUH 25	250 (60)	175 (42)	93 (22)

CONTROL CONNECTIONS
 IF 240V COIL FITTED, CONNECT CONTROL SUPPLY TO FUSE.
 IF 415V COIL FITTED, NEUTRAL LINK IS OMITTED, CONNECT CONTROL SUPPLY TO A1 & FUSE

ISO 9001, QUALITY IS YOUR RESPONSIBILITY, IF IN DOUBT ASK.

All mains wiring BLACK
 All a.c. control wiring RED
 All d.c. control wiring BLUE
 As EN60204 Part 1.
 Unless otherwise stated.

TITLE 4P HEATING AND LIGHTING		
CURRENT REVISION No.		
ALT	CKD	DATE
FINISH		



Crompton Controls
 Monckton Road, Wakefield
 West Yorkshire WF2 7AL
 Tel: (0924) 368251 Fax: (0924) 367274

RECORDED ISSUE No.			
DRN M.Kilner	CKD	MK	APPD DS
DATE 23/07/15		SCALE	
DRAWING NUMBER			
A4/3202/1/4P			