

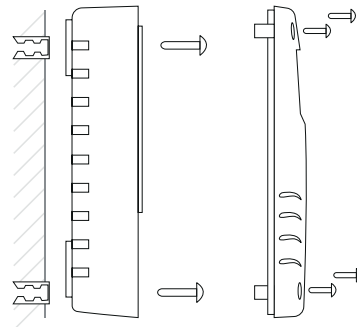
# PHOTOCELL

10amp Photocell with Integral Timer

PART CODE: PMPC10

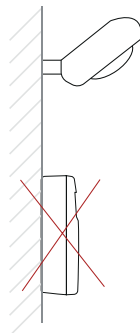


## INSTALLATION

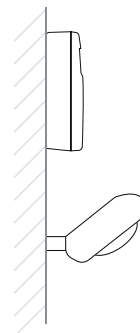


Mount sensor above lighting

Incorrect



Correct



	PMPC10
Rated Voltage	220-253V AC 50Hz
Lux Adjustment	<3-500 Lux
Time Adjust	1,2,3,4,5,6,7,8,9 Hours
Operating Temp	-20°C - +40°C
Environmental Protection	IP44
Incandescent Lamp	2300W
Halogen Lamp	2300W
PL/CFL/LED Lamp	200W or 8 units
Fluorescent Lamp	300W
Dimensions (mm)	35 x 68 x 107

EXTERNAL PHOTOCELL

10AMP SWITCH

ADJUSTABLE LUX LEVEL

BUILT IN TIMER