

# Glass filled nylon dome head (Exe) stopping plugs - PDE4 Series



Type PDE4

## Features

- International Ex approvals
- IP66, IP68, CSA Enclosure Type (NEMA) 4X, 6P
- Nitrile O-ring supplied as standard
- Various threadforms available

## Benefits

- Provides method of filling unused entries in equipment
- Maintains increased safety certification
- Maintains IP integrity

## Materials

- Glass filled nylon

## Threadforms

- Metric
- NPT
- NPSM
- PG
- ISO pipe (BSP)
- ET

## Technical specification

### Code of protection categories

ATEX: II 2 GD, Ex e IIC Gb, Ex tb IIIC Db, IP6X

IECEX: Ex e IIC Gb, Ex tb IIIC Db IP6X

CSA: Ex e IIC IP66/67/68; Class I, Division 2; Groups A, B, C, D; Class II, Groups E, F, G; Class III; Enclosure Type 4X/6P

EAC: ExeIIC, IP66/67/68

### Compliance standards

ATEX: EN 60079-0, EN 60079-7, EN 60079-31

IECEX: IEC 60079-0, IEC 60079-31, IEC 60079-7

CSA: C22.2 No.0.17-00 (R2009), CAN/CSA 60079-0-11, CAN/CSA 60079-7-12, CAN/CSA 60079-31:12

UL514 C 3rd Edition

### Certificate details

ATEX: Sira 00ATEX3091X

IECEX: IECEX SIR 12.0038X

CSA: 1248014 (LR 106084)

EAC: TR RU C-GB.GB06.B.00106

### Temperature

Temperature will depend on the type of O-ring used:

No O-ring: -20°C to +40°C

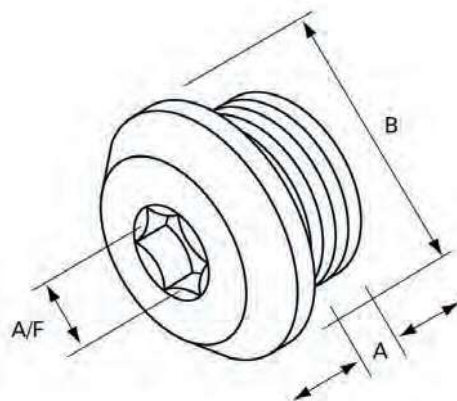
Viton O-ring: -5°C to +40°C

### Ingress protection (IP):

Independently tested to IP66 / IP68 when fitted in accordance to manufacturer's instructions

### Part number:

Please refer to page 10 for part numbering system



## Dimensions of metric versions

Size	Thread length (A)	Hex (Allen) key A/F	Diameter (B)
M16	10.00 (min.)	10.00	20.50 (min.)
M20	10.00 (min.)	10.00	24.50 (min.)
M25	10.00 (min.)	10.00	29.50 (min.)
M32	10.00 (min.)	10.00	36.50 (min.)
M40	10.00 (min.)	10.00	44.50 (min.)
M50	10.00 (min.)	10.00	54.50 (min.)
M63	10.00 (min.)	10.00	67.50 (min.)
M75	10.00 (min.)	10.00	79.50 (min.)

Parallel threads have 10mm minimum length or to specification.

Tapered threads to provide for five fully engaged threads.