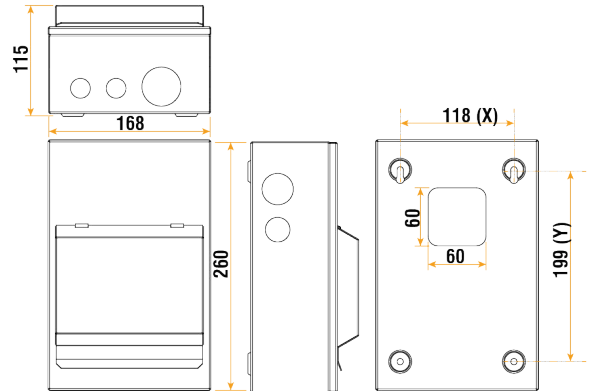


Product Code: GUEB563RCD3

Luckinslive 425300204

Description: 5 Way Mini Metal Unit (Garage) with 63A RCCB (3 Free Ways)



General Information

Dimensions With Door (mm)	168 (W) x 260 (H) x 115 (D)	
Enclosure Dimensions (mm)	168 (W) x 260 (H) x 92 (D)	
Colour	White	
Materials	Enclosure & Cover: Powder Coated Steel	DIN Rail: Galvanised Steel
Rated Operational Voltage (AC) (Ue)	230	
Frequency (Hz)	50/60	
Maximum Rated Current (A) (In)	63	
Free Ways	3	
Total Ways	5	
Device Terminals	Screwed Lug & Pin	
RCD Installed	1 x 63A 30mA RCCB (CU2RCD63A)	
RCD Terminal Capacity (mm ²)	16	RCD Terminal Torque (Nm) 2.5
Blanks Supplied	1 (Product Code: CU1BLANK)	
E&N Terminals	Screw	
E&N Bars Capacity (mm ²)	16	E&N Bars Torque (Nm) 2
Tail Clamp Capacity (mm ²)	25	Tail Clamp Torque (Nm) 1.5
Enclosure Side Knockouts (Ømm)	1 x 25 & 1 x 32	
Enclosure Top Knockouts (Ømm)	2 x 20 & 1 x 40	
Enclosure Bottom Knockouts (Ømm)	2 x 20 & 1 x 40	
Enclosure Rear Knockouts (mm)	60 x 60	
Impact Rating	IK05	
Ingress Protection	IP20	
Maximum Humidity (%)	95	
Storage Temperature (°C)	-40 to +75	
Operational Temperature (°C)	-5 to +40	
Warranty (Years)	10	Warranty - Devices (Years) 3
Standards	BS EN 61439-3, BS EN 61008-1	

Additional Information For cleaning / polishing of products, use only a soft, dry, clean cloth.

Elucian metal consumer units allow compliance with BS 7671 Wiring Regulations Complete complement of earth and neutral terminals along with marking labels, busbar, mains cable clamp, blanks, 40mm meter tail gland, premium black grommet strip and instruction leaflet.

