

CAT6a FTP Shielded Field Termination Plug

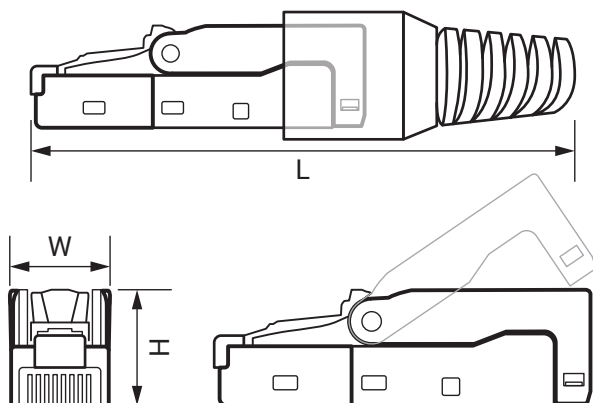
Product Ref: **EM01.210**

Technical Features:

- CAT6a Class EA field termination plug
- Quick and easy to install
- Fully shielded die-cast body
- Suitable for use with a wide range of cable outer diameter and core sizes = 6 - 9mm cable OD, 22-27 AWG cores (core including insulation up to OD 1.6mm)
- Reusable (27AWG cable only reusable up to 5 times)
- Toolless termination design
- T568A & B colour coded
- Rated for 750 mechanical cycles
- Compatible with Profinet installations

Product Specification

Category Type	CAT6a
Colour	Silver
Colour Coded	Yes
Compliance	UKCA, CE
Guarantee	1 Year
Material	Die-cast Zinc alloy
Size	16 x 15mm
Shielded/Unshielded	Shielded
Supplied With	Strain relief, cable tie and user guide
Type	Termination plug
Weight	0.018kg
Height	15mm
Length	68mm
Width	16mm



Errors and omissions excepted (E&OE). All information is subject to change without notice and is correct at the time of print. Refer to issue number and date below.

Tel: +44 (0)1302 765 570 • info@emitex.co.uk • EmitexInfo