

Heavy-Duty lockable

Castor wheels with brakes

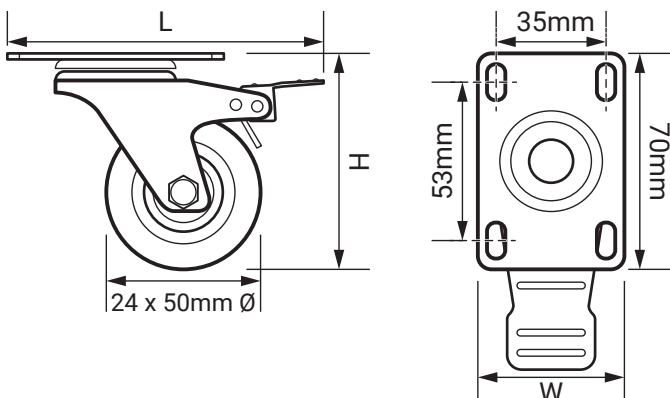
Product Ref: **EM04.048**

Technical Features:

- Smooth and silent rolling
- Rotate 360-degrees quiet swivel
- Dual locking
- Double ball bearing
- Non-marking Polyurethane rubber
- Suitable for use on laminate, marble, wooden and carpeted floors
- Designed for floor standing data cabinets up to 200kg

Product Specification

Colour	Black
Compliance	UKCA, CE
Lockable	Yes
Material	Steel / Polyurethane
Pack Quantity	4
Product Range	Data Cabinets
Suitable For	Floor standing data cabinets up to 200kg
Weight	0.944kg
Height	72mm
Length	112mm
Width	50mm



Errors and omissions excepted (E&OE). All information is subject to change without notice and is correct at the time of print. Refer to issue number and date below.

Tel: +44 (0)1302 765 570 • info@emitex.co.uk • EmitexInfo