

## 42U 600 x 600mm Floor Standing Data Cabinet

Product Ref: **EM04.134**

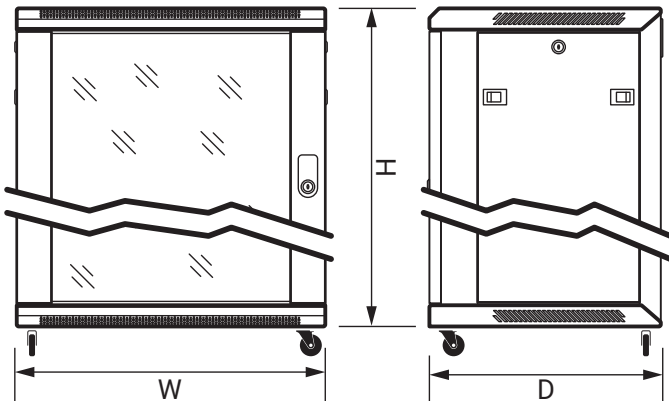
### Technical Features:

- Exquisite design with precise dimension & craftsmanship
- Quick release removable/reversible and lockable smoked-grey glass front door
- Quick release removable/reversible and lockable solid steel rear door
- Lockable/removable side panels
- Floor standing
- Loading capacity: 800KG
- Top and bottom cable entries
- Easy install and maintenance via removable door and side panels
- Electro-static powder coated door and panels
- Optional accessories



### Product Specification

Cable Entry	Top and Bottom
Colour	Black
Compliance	UKCA, CE
Door Type	Quick Release Removable Reversible/Lockable Smoked-grey Glass
Lockable	Yes
Material	1.2mm cold rolled steel
Mounting	Floor standing
Product Range	Data Cabinets
Size	42U
Supplied With	Fitted Roof fan tray; 3 Fixed Shelves; Castors and Jacking Feet
Weight	96.000kg
Depth	600mm
Height	2057mm
Width	600mm



Errors and omissions excepted (E&OE). All information is subject to change without notice and is correct at the time of print. Refer to issue number and date below.

Tel: +44 (0)1302 765 570 • info@emitex.co.uk • EmitexInfo