

Tone Generator Probe Kit

Product Ref: **EM05.006**

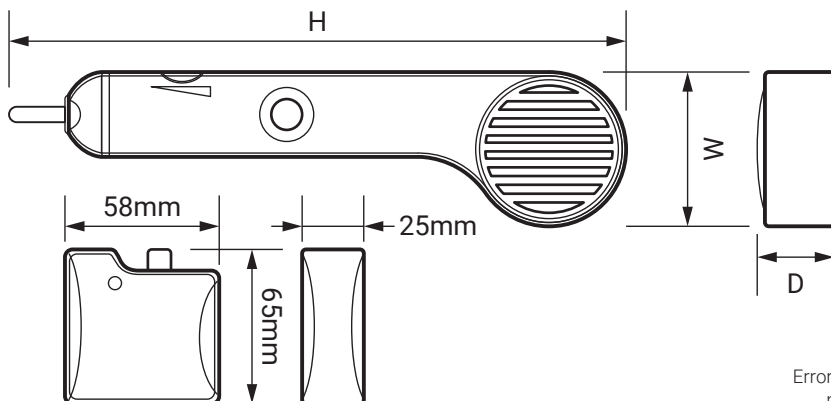
Technical Features:

- Identifies and traces wires/cables without damaging insulation
- Adjustable volume for various work environments
- Recessed on/off switch prevents battery drain
- 3.5mm Phone jack
- Indicates line polarity, continuity, and voltage
- Selectable monotone or dual alternating-tone
- Detects and verifies dial tone quality
- Supports tone tracing and wiring/power testing
- Includes carry case
- Powered by 2 x 9V PP3 batteries (not included)



Product Specification

Battery Size	9V PP3
Colour	Blue
Compliance	UKCA, CE
Guarantee	1 Year
Kit Content	Amplifier probe Tone generator Carry case
Material	Plastic
Max. Signal Voltage	8Vp-p
Max. Testing Distance	1.5km
Max. Working Current	<20mA - Generator <70mA - Probe
Tone Frequency Range	0.6~2kHz
Tone Mode	One / Two note tone
Suitable For	De-energized AC wire, telephone/twisted pair wire, all voice and data cable
Weight	0.222kg
Depth	25mm
Height	230mm
Width	55mm



Errors and omissions excepted (E&OE). All information is subject to change without notice and is correct at the time of print. Refer to issue number and date below.

Tel: +44 (0)1302 765 570 • info@emitex.co.uk • EmitexInfo