

Keystone Jack Easy Closing Tool

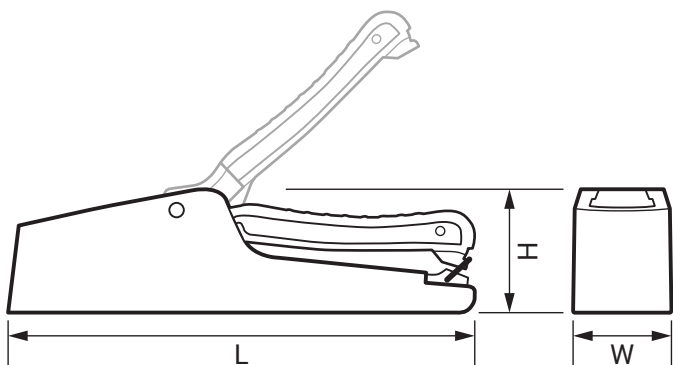
Product Ref: **EM05.018**

Technical Features:

- Easy termination of keystone jacks
- Close jack covers with minimal effort
- Ergonomic design eliminates user fatigue, making it comfortable to use for extended periods
- Reduces Installation Time
- Suitable for terminating Cat5e, Cat6, and Cat6a keystone jacks

Product Specification

Colour	Black
Compliance	UKCA, CE
Guarantee	1 Year
Material	ABS+PC, UL 94-V0
Suitable For	Cat5e, Cat6, and Cat6a keystone jacks
Weight	0.107kg
Height	45mm
Length	170mm
Width	32mm



Errors and omissions excepted (E&OE). All information is subject to change without notice and is correct at the time of print. Refer to issue number and date below.

Tel: +44 (0)1302 765 570 • info@emitex.co.uk • EmitexInfo