

CAT5e RJ45 Rapid Crimp Boot

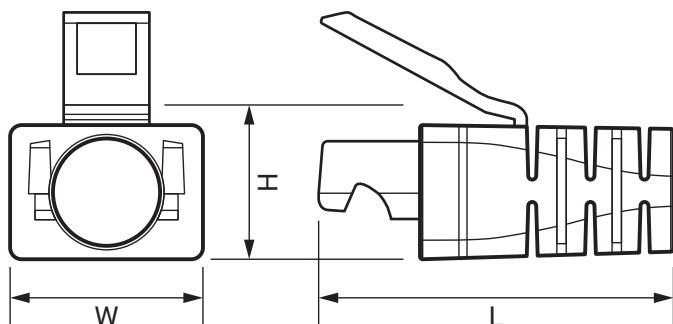
Product Ref: **EM06.107**

Technical Features:

- Suitable for use with standard 8p8c connectors for CAT5e specifications
- Extended hood prevents latch snagging other cables
- Suitable for cable diameter size: approx 5.5mm
- Perfect solution for rapid termination

Product Specification

| | |
|---------------------|---------------|
| Category Type | CAT5e |
| Colour | Transparent |
| Compliance | UKCA, CE |
| Guarantee | 1 Year |
| Material | Plastic |
| Mounting | Cable mounted |
| Product Type | Strain Boot |
| Size | 11.5 x 26.5mm |
| Shielded/Unshielded | Unshielded |
| Termination | Crimp |
| Weight | 0.001kg |
| Height | 9.5mm |
| Length | 26.5mm |
| Width | 11.5mm |



Errors and omissions excepted (E&OE). All information is subject to change without notice and is correct at the time of print. Refer to issue number and date below.

Tel: **+44 (0)1302 765 570** • info@emitex.co.uk • EmitexInfo