

## CAT6 RJ45 Rapid Crimp Boot

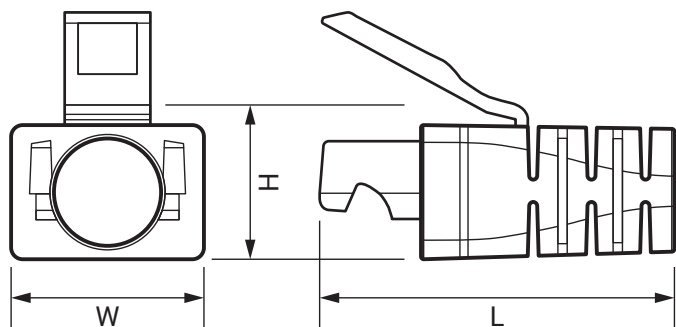
Product Ref: **EM06.207**

### Technical Features:

- Suitable for use with standard 8p8c connectors for CAT6 specifications
- Extended hood prevents latch snagging other cables
- Suitable for cable diameter size: approx 6.5mm
- Perfect solution for rapid termination

## Product Specification

Category Type	CAT6
Colour	Transparent
Compliance	UKCA, CE
Guarantee	1 Year
Material	Plastic
Mounting	Cable mounted
Product Type	Strain Boot
Size	11.5 x 26.5mm
Shielded/Unshielded	Unshielded
Termination	Crimp
Weight	0.001kg
Height	9.5mm
Length	26.5mm
Width	11.5mm



Errors and omissions excepted (E&OE). All information is subject to change without notice and is correct at the time of print. Refer to issue number and date below.

Tel: +44 (0)1302 765 570 • info@emitex.co.uk • EmitexInfo