

# eterna.

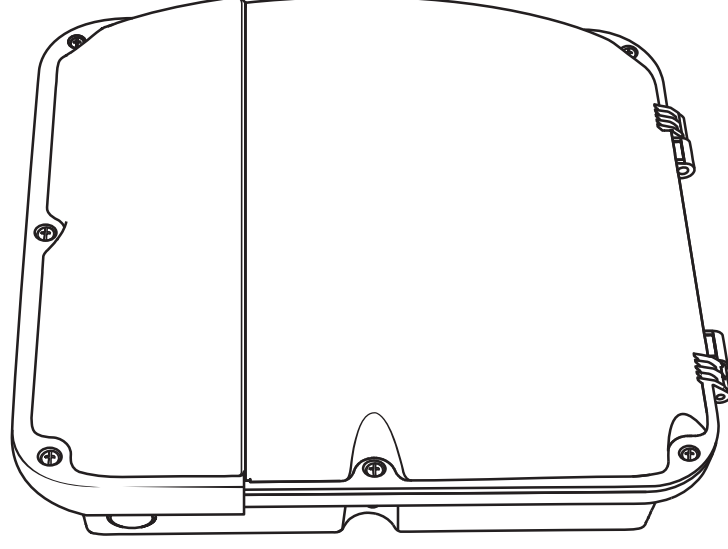


Scan QR code  
to go to web page

## INSTALLATION INSTRUCTIONS

### Hadi

- E02HDAC** Hadi Power CCT Switchable IP65 Wall Pack
- E02HDAC1** Hadi Power CCT Switchable IP65 Emergency
- E02HDAC2** Hadi Power CCT Switchable IP65 On/Off Microwave
- E02HDAC3** Hadi Power CCT Switchable IP65 Emergency with On/Off Microwave
- E02HDAC6** Hadi Power CCT Switchable IP65 Photocell
- E02HDAC7** Hadi Power CCT Switchable IP65 Emergency with Photocell



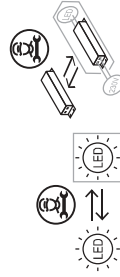
**Pack contents:** 1 x LED Wall Pack, 1x Fixing kit

**A guide for qualified electricians**

<b>LED LAMP SPECIFICATIONS:</b>	<b>16W</b>	<b>24W</b>
Luminaire lumens	<b>1800 lm</b>	<b>2600 lm</b>
Rated Wattage	16W / 24W	
Nominal life time of the lamp	50,000 hrs	
Colour temperature	3000K / 4000K / 6000K	
Number of switching cycles before premature lamp failure	>25,000	
Warm-up time up to 60% of the full light output	Instant full light	
Dimmable	No	
Nominal beam angle	120°	
Displacement factor	0.7	
Lumen maintenance factor at end of nominal life	0.9	
Colour rendering	>80	
Colour consistency	<6 SDCM	
Rated peak intensity	570 cd	857 cd
Voltage / Frequency	220-240V-50Hz	
Lumen efficacy	112 lm / W	108 lm / W
This product contains a light source of energy efficiency class E		
Not suitable for accent lighting		
Reference control setting 4000K		

**RED DIRECTIVE**  
**Microwave Occupancy Sensor**  
 Full declaration available at:  
[www.eterna-lighting.co.uk/red-declaration](http://www.eterna-lighting.co.uk/red-declaration)

PRODUCT TYPE	MICROWAVE MOTION SENSOR
Operating Voltage	220-240VAC 50/60hz
HF System	5.8GHz
Transmission Power	1mW max
Detection Angle	150 Degree
Power Consumption	<0.5w
Detection Range	Max. 6m adjustable
Time Setting	5s-30m
Mounting	Indoors, ceiling and wall
Light Control	2-50lux, disable
Working Temp	-20 to +60 degree
Rated Load	400W (Inductive load)
	800W (Resistive load) 270W (LED)



Issue 0525

Huxley Close, Wellingborough, Northamptonshire, UK, NN8 6AB  
 Unit B4D, Airport Business Park, Cloghran, Co. Dublin, Ireland, K67X 7H9

**Email:** [sales@eterna-lighting.co.uk](mailto:sales@eterna-lighting.co.uk) / [technical@eterna-lighting.co.uk](mailto:technical@eterna-lighting.co.uk)  
**Visit our website:** [www.eterna-lighting.co.uk](http://www.eterna-lighting.co.uk)

Made in China

## READ THIS FIRST:

Check the pack and make sure you have all of the parts listed on the front of this booklet. If not, contact the outlet where you bought this product.

This product must be installed by a competent person in accordance with the current building and IEE wiring regulations.

As the buyer, installer and/or user of this product it is your own responsibility to ensure that this fitting is fit for the purpose for which you have intended it. Eterna Lighting cannot accept any liability for loss, damage or premature failure resulting from inappropriate use.

This product is designed and constructed according to the principles of the appropriate British Standard. Using this fitting in an environment where there are prolonged periods of use or higher than normal ambient temperatures may result in a shortened working life.

Switch off the mains before commencing installation and remove the appropriate circuit fuse or lock off MCB.

This product is designed for permanent connection to fixed wiring; this must be a suitable circuit (protected with the appropriate MCB or fuse).

Make sure that the fixings are strong enough to support the weight of the fitting and hold it securely.

When working at heights ensure you use a suitable platform.

When making connections ensure that the terminals are tightened securely and that no strands of wire protrude. Check that the terminals are tightened onto the bared conductors and not onto any insulation.

You are advised at every stage of your installation to double-check any electrical connections you have made. After you have completed your installation there are electrical tests that should be carried out, these tests are specified in the current IEE wiring and building regulations. If in doubt, consult a qualified electrician.

## EVENTUALLY, YOU MAY WANT TO REPLACE THIS PRODUCT:

Regulations require the recycling of waste from Electrical and Electronic Equipment (European "WEEE Directive" effective August 2005 – UK WEEE Regulations effective February 2014). Environment Agency Registered Producer: WEE/GA0248QZ.

When your product comes to the end of its life or you choose to replace it, please recycle it where facilities exist – do not dispose with household waste.

## CLEANING:

Clean this fitting only with a soft dry cloth. Do not use any chemical or abrasive cleaners.

## IF YOU EXPERIENCE PROBLEMS:

If you believe your product is defective, please return it to the place where you bought it. Our Technical Team will gladly advise on any Eterna Lighting product, but may not be able to give specific instructions regarding individual installations.

## CAUTION, RISK OF ELECTRIC SHOCK

The light source is designed to last the lifetime of the luminaire.

The light source contained in this luminaire shall only be replaced by the manufacturer, service agent or a similar qualified person.

## PHOTOCELL VERSION:

Dusk to dawn operation (note this unit is not adjustable)

Factory preset – switching on at 30 lux and off 70 lux

Sensor is positioned on the side of the wall pack as standard, installing on white or very reflective surfaces can cause false triggering due to natural light reflectance. Photocell can be repositioned to the top left of the wall pack, or for more information contact customer service.

Do not install under eaves or in a location of frequent shadow that will prevent the light from switching off when required. Do not install near other sources of bright light that will prevent the light from switching on when the ambient light level falls.

## MICROWAVE VERSION:

### DETECTION RANGE:

This determines the effective range of the motion detector and is set up by DIP switches at the sensor itself, refer to figure. Note that reducing the sensitivity will also narrow the detection range.

	DETECTION AREA		
	1	2	3
I	ON	ON	ON
II	–	ON	ON
III	ON	–	ON
IV	–	–	ON
V	–	–	–

### HOLD TIME:

This determines the time the fitting remains at 100% level on motion detection and is set with DIP switches at the sensor itself, refer to figure. The walk test setting is useful when installing the fitting to establish correct operation and range.

	HOLD TIME		
	4	5	6
I	ON	ON	ON
II	–	ON	ON
III	–	–	ON
IV	–	–	–
V	ON	ON	–
VI	–	–	–

### DAYLIGHT SENSOR:

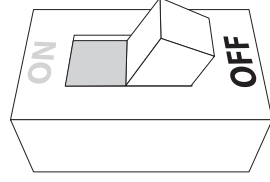
This setting holds off the 100% light output should there be sufficient daylight and is set using DIP switches at the sensor, refer to figure.

\*If the daylight sensor is disabled the sensor will turn on light once motion is detected regardless of ambient light level.

	DAYLIGHT SENSOR		
	7	8	9
I	ON	ON	ON
II	ON	ON	–
III	–	ON	–
IV	ON	–	–
V	–	–	–

1

Turn off mains power and ensure supply is isolated

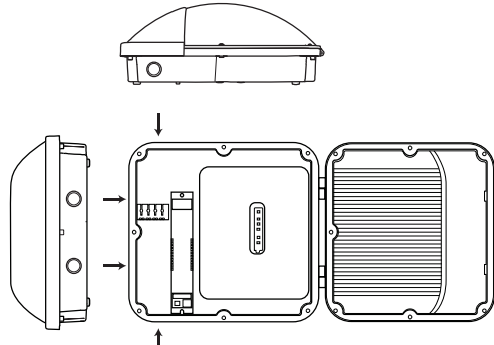


2

Unscrew the front diffuser and lower hinged diffuser

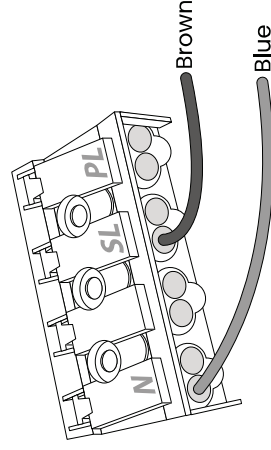
Cable entry from rear or 4 x 20mm conduit entry points

Apply silicone sealant to the fixings if IP rating is to be maintained\*



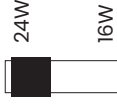
3

Make the connections from mains cable to the push fit terminal block

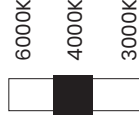


4

Select wattage preferences by adjusting the switch on the driver



Select colour temperature preferences by adjusting the switch on the array



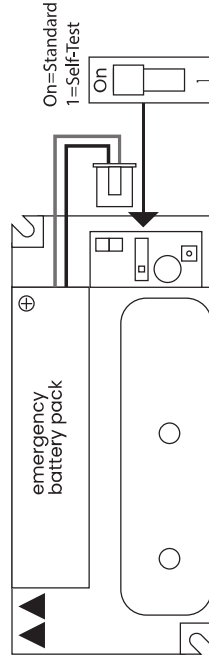
5

## Emergency Versions:

To connect the battery lift array

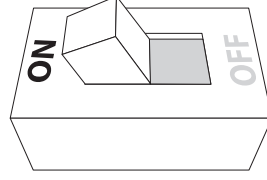
To adjust to Self-Test move dip switch to '1'

EM Pack info – E02U02ES



6

Replace diffuser and turn on mains supply



EM Product Labels provided to suit Standard or Self-Test

