

# TWINSPOT PROFESSIONAL

## Twinspot Professional IP65 Emergency Luminaire

- IK10 impact resistance
- Emergency output of 2 x 285 lm
- Soft-start charger to reduce building load
- Selectable discharge rating for hazardous areas
- Fast emergency switch-over (<0.5s) for high-task areas
- Long life electronics
- 12 years design life at max. ambient
- High Quality Lithium battery (LiFePO4) and smart charger
- Standalone (SPU)
- Self test (AS2293/ IEC62034)
- DALI (IEC62386-202) DT1
- Ektor wired monitored system



### ORDERING INFORMATION

<b>Order code</b>	01707
<b>Description</b>	Ektor Twinspot emergency IP65 luminaire - Black - PRO
<b>Driver Type</b>	DALI DT1 Emergency
<b>Item Code</b>	EV-TWINSPOT-WP-PRO-B

### MECHANICAL

<b>IP Rating</b>	IP65
<b>IK Rating</b>	IK10
<b>Adjustability</b>	Adjustable
<b>Fitting Colour</b>	Black
<b>Body Material</b>	Polycarbonate
<b>Diffuser Material</b>	Polycarbonate
<b>Installation Type</b>	Surface mount

### ELECTRICAL

<b>Working Temp Range</b>	0 to 40 °C
<b>Input Frequency</b>	50 Hz
<b>Maximum Wattage</b>	3 W
<b>Input voltage</b>	230Vac
<b>Input Current</b>	0.1 A
<b>Standby Power</b>	0.25 W

In Australia the Input voltage is defined as 230Vac -6%/+10%. This effectively means that the voltage range of these products are 216Vac - 253Vac or 240V +6%

Standby power for non-maintained/switched maintained emergency devices is measured when the light is off and the charger is in standby mode. For maintained emergency devices, standby power is measured when the light is on and the charger is in standby mode. Typically, charging occurs for the first 16

hours after the device is powered or after a battery discharge.

### DRIVER

<b>Driver Type</b>	DALI DT1 Emergency
<b>Driver Included</b>	Yes
<b>Wiring Type</b>	Re-wireable terminal block (6 pin)

### EMERGENCY (EM SUFFIX)

<b>Emergency Mode</b>	Non-Maintained
<b>Emergency Output Power</b>	5500 mW
<b>Replacement Battery Code</b>	01303
<b>Emergency Duration</b>	90 mins
<b>Emergency Lumen Output</b>	570 lm
<b>Emergency Control</b>	DALI Monitored (DT1)

DALI Monitored ~ Supports Emergency test and monitoring over DALI (IEC62386) with full compliance to IEC62386-202.

### COMPLIANCE

<b>Product Design Life</b>	12 years
<b>Standards</b>	AS/NZS 60598.1 AS 60598.2.22 AS/NZS 61347.1 AS/NZS 61347.2.13 AS CISPR 15 AS/NZS 2293.3

The product design life relates to the total product life which includes LEDs, drivers and the enclosure. This is different to the LED lifetime which only refers to the economical lifetime of the LEDs at which time the lumen output has dropped below the L Value. The product design life is calculated at the maximum ambient or working temperature of the product and takes into account the Daily Use.

## WARRANTY

**Commercial Use Warranty** 8 RTB (Total 8 Years)

## DIMENSIONS

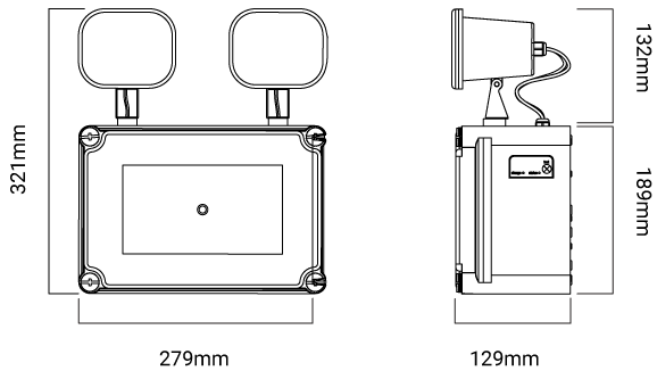
**Product Height** 129 mm

**Product Length** 279 mm

**Product Width** 321 mm

## LINE DRAWINGS

EV/TWINSPOT/WP/PRO



## PHOTOMETRICS

EV/TWINSPOT/WP/PRO/B\_1707\_2hr

