

EV-UMBRA-ADV-IP65-1200-TRI

Advanced IP65 Weatherproof Batten

FEATURES

- Tri-colour
- Weatherproof (IP65) rating and vandal-proof (IK08) rating
- Selectable output power
- Exclusive 5 year warranty
- Increased Lumen efficiency
- Half Power mode
- Increased ambient temperature of 40 degrees
- Increased ambient temperature of 40°
- Corridor mode



MECHANICAL	
Body Material	Polycarbonate
Diffuser Material	Polycarbonate
Fitting Colour	Grey
Installation Type	Surface mount
IP Rating	IP65

ELECTRICAL	
Electrical Rating (Class)	1
Input Current (A)	0.2
Input Frequency (Hz)	50
Input voltage	230Vac
In Australia the Input voltage is defined as 230Vac -6%/+10%. This effectively means that the voltage range of these products are 216Vac - 253Vac or 240V +6%	
Maximum Wattage (W)	36
Power Factor	0.9
Standby Power (W)	36
Standby power for maintained emergency devices is measured when the light is on and the charger is in standby. Typically charging occurs for the first 16 hours after the device is powered or after a discharge. For non-maintained emergency devices or DALI controlled devices this is measured when the light is off and charger is in standby mode.	
Switch Type	Inline
Working Temp Range (C)	0 to 40

LAMP	
Macadam Steps (SDCM)	4-step MacAdam Ellipse
CCT Configuration	TRI-CCT
CRI	>80
Lamp/LED Current (mA)	700
Lamp/LED voltage (V)	42

LED LIFETIME	
TM-21 Test Hours (hrs)	10000

COLOUR TEMPERATURE	
21 Watts	
Warm White (4000K)	>2150 lm
Cool White (5000K)	>2200 lm
DayLight (6500K)	>2100 lm
30 Watts	
Warm White (4000K)	>4100 lm
Cool White (5000K)	>4250 lm
DayLight (6500K)	>4000 lm

DRIVER

Driver Current (mA)	700
Dimmable	No
Driver Included	Yes
Integrated Driver	No
Driver Mode	Constant Current
Driver Type	Fixed output
Wiring Type	Re-wireable terminal block (3 pin)

ENERGY SAVINGS SCHEME

Ipart Approval	Yes
REES Approval	Yes
VEU Approval	Yes

COMPLIANCE

Design Life (hr)	54000
Standards	AS/NZS 60598.1 AS/NZS 60598.2.1 AS/NZS 61347.1 AS/NZS 61347.2.13 AS CISPR 15

WARRANTY

Commercial Use Warranty	2 Onsite, 3 RTB (Total 5 Years)
-------------------------	---------------------------------

DIMENSIONS

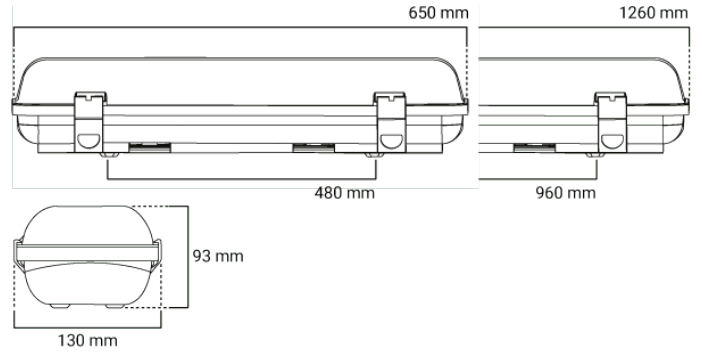
Product Height (mm)	93
Product Length (mm)	1230
Product Width (mm)	130

ORDERING INFORMATION

Order code	11219
Description	EV-UMBRA-ADV-IP65-1200-TRI~UMBRA Advanced 1200mm LED wide body batten - Tri-CCT
Item Code	EV-UMBRA-ADV-IP65-1200-TRI
Clearance Item	No

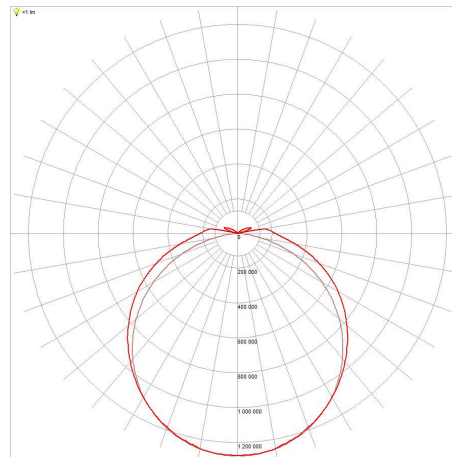
LINE DRAWINGS

EV/UMBRA/ADV/IP65

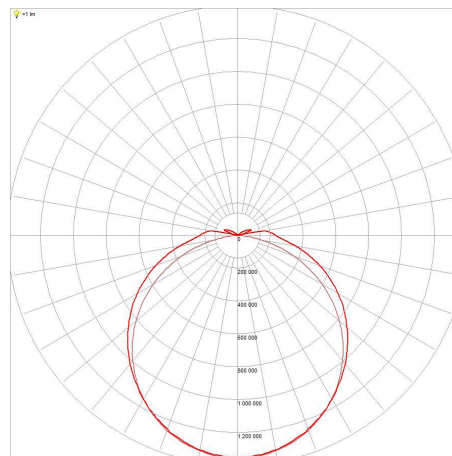


PHOTOMETRICS

UMBRA_ADV_IP65_1200MM_FULL_POWER_4000K



UMBRA_ADV_IP65_1200MM_FULL_POWER_5000K





UMBRA_ADV_IP65_1200MM_FULL_POWER_6500K

