

RAZOR PENDANT

Razor Surface Pendant Emergency Exit, 24m

- Single and double-sided decals
- Pendant exit sign supplied with 3m cable
- Exit sign is powered from pendant cable (no extra wiring)
- 6 years design life at max. ambient
- High Quality Lithium battery (LiFePO4) and smart charger
- Single Point Unit (SPU)
- Fully compliant (AS/NZS 2293)



ORDERING INFORMATION	
Order code	15353
Description	Ektor Slimblade Core Surface Pendant Exit light 24M
Driver Type	Fixed output
Item Code	EV-RAZOR-SP-CORE-24M

MECHANICAL	
IP Rating	IP20
Adjustability	Fixed
Fitting Colour	White
Body Material	Polycarbonate
Diffuser Material	PMMA
Installation Type	Suspended

ELECTRICAL	
Working Temp Range	0 to 40 °C
Input Frequency	50 Hz
Maximum Wattage	2.6 W
Input voltage	230Vac

In Australia the Input voltage is defined as 230Vac -6%/+10%. This effectively means that the voltage range of these products are 216Vac - 253Vac or 240V +6%

Standby Power	2.3 W
---------------	-------

Standby power for non-maintained/switched maintained emergency devices is measured when the light is off and the charger is in standby mode. For maintained emergency devices, standby power is measured when the light is on and the charger is in standby mode. Typically, charging occurs for the first 16 hours after the device is powered or after a battery discharge.

DRIVER	
Driver Type	Fixed output
Driver Included	Yes
Integrated Driver	Yes
Dimmable	No
Wiring Type	Re-wireable terminal block (2 pin)

EMERGENCY (EM SUFFIX)	
Emergency Mode	Maintained
Emergency Classification	C0:D5, C90:E3.2
Emergency Output Power	1000 mW
Replacement Battery Code	13972
Emergency Duration	90 mins
Viewing Distance	24 m
Decal Size	300 x 150 mm
Emergency Light Source Life	72Y/07M

AS2293.3-2018 Projection of Light source life for LED Exit signs (appendix E) Defines the projected time until the surface luminance falls below the minimum required surface luminance for an exit sign.

COMPLIANCE

Product Design Life 6 years

The product design life relates to the total product life which includes LEDs, drivers and the enclosure. This is different to the LED lifetime which only refers to the economical lifetime of the LEDs at which time the lumen output has dropped below the L Value. The product design life is calculated at the maximum ambient or working temperature of the product and takes into account the Daily Use.

Standards AS/NZS 60598.1
AS 60598.2.22
AS/NZS 61347.1
AS/NZS 61347.2.13
AS CISPR 15
AS/NZS 2293.3

WARRANTY

Commercial Use Warranty 5 RTB (Total 5 Years)

DIMENSIONS

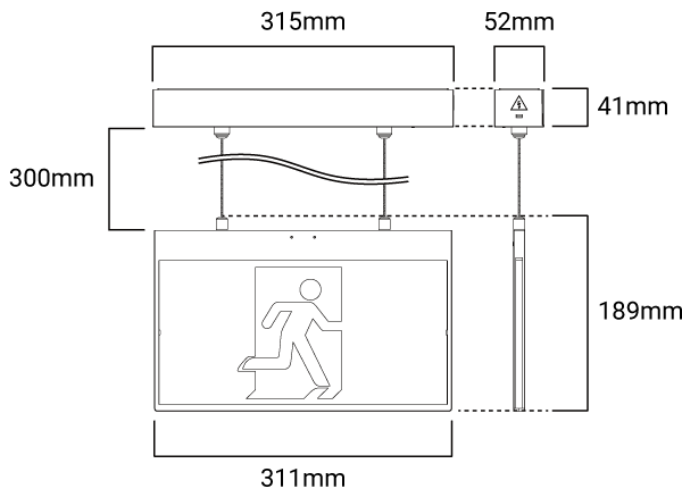
Product Height 190 mm

Product Length 315 mm

Product Width 12 mm

LINE DRAWINGS

EV/RAZOR/SP/CORE/24M



ACCESSORIES

Order code 02987

Description Razor 24M decal pack to suit SKU# 02686 & BOXIT-SLIM SKU #15053

Item Code EV-RAZOR-24M-DP

Order code 15196

Description Wall Bracket to suit EV-RAZOR-SM-CORE - White

Item Code EV-RAZOR-SM-CORE-WB