

BOXIT IP65 PROFESSIONAL

- Designed to withstand wear and tear with impact rating of IK09 (front) and IK08 (side) rating
- Suitable for outdoor use in harsh weather conditions with an IP65 rating
- Self-test monitoring systems (AS2293/IEC62034) to reduce building load
- Long-life electronics with 12 years at max. ambient
- High quality Lithium battery (LiFePO4) and smart charger
- Comes with maintained and non-maintained operating modes
- Prevent battery damage and reduce building load with a soft start charger
- DALI monitored and standalone system



ORDERING INFORMATION	
Order code	16606
Description	Boxit Pro IP65 Wallmount Exit Light - 24M
Driver Type	DALI DT1 Emergency
Item Code	EV-BOXIT-IP65-24M-PRO-DA

MECHANICAL	
Body Material	Polycarbonate
Diffuser Material	Polycarbonate
Fitting Colour	Grey
IK Rating	IK09
Installation Type	Surface mount
IP Rating	IP65

ELECTRICAL	
Electrical Rating	Class I
Input Frequency	50 Hz
Input voltage	230Vac

In Australia the Input voltage is defined as 230Vac -6%/+10%. This effectively means that the voltage range of these products are 216Vac - 253Vac or 240V +6%

Standby Power	2.2 W
Standby power for non-maintained/switched maintained emergency devices is measured when the light is off and the charger is in standby mode. For maintained emergency devices, standby power is measured when the light is on and the charger is in standby mode. Typically, charging occurs for the first 16 hours after the device is powered or after a battery discharge.	
System Max Wattage	2.5 W

Working Temp Range	0 to 40 °C
--------------------	------------

DRIVER	
Driver Type	DALI DT1 Emergency
Wiring Type	Re-wireable terminal block (5 pin)

EMERGENCY (EM SUFFIX)	
Replacement Battery Code	01302
Emergency Classification	CO:E2.5, C90:E2
Decal Size	360x170 mm
Emergency Duration	90 mins
Emergency Light Source Life	24Y/10M
AS2293.3-2018 Projection of Light source life for LED Exit signs (appendix E) Defines the projected time until the surface luminance falls below the minimum required surface luminance for an exit sign.	
Emergency Lumen Output	30 lm
Emergency Mode	Maintained
Emergency Output Power	1200 mW
Viewing Distance	24 m

COMPLIANCE

Product Design Life 12 years

The product design life relates to the total product life which includes LEDs, drivers and the enclosure. This is different to the LED lifetime which only refers to the economical lifetime of the LEDs at which time the lumen output has dropped below the L Value. The product design life is calculated at the maximum ambient or working temperature of the product and takes into account the Daily Use.

Daily Use 24 hrs

The Daily Use is the recommended time required to meet the product's design life. Installations can exceed this time, however the product design life will be reduced proportionally.

WARRANTY

Commercial Use Warranty 8 RTB (Total 8 Years)

DIMENSIONS

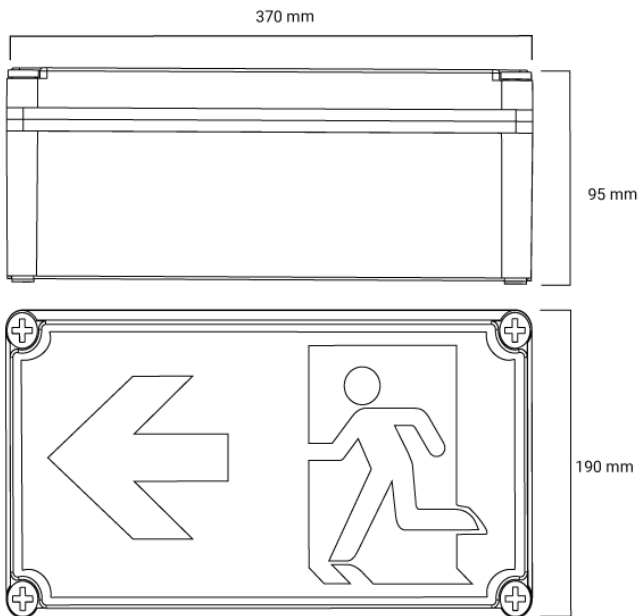
Product Height 95 mm

Product Length 370 mm

Product Width 190 mm

LINE DRAWINGS

EV/BOXIT/IP65/24M/PRO



PHOTOMETRICS

EV/BOXIT/IP65/24M/PRO

