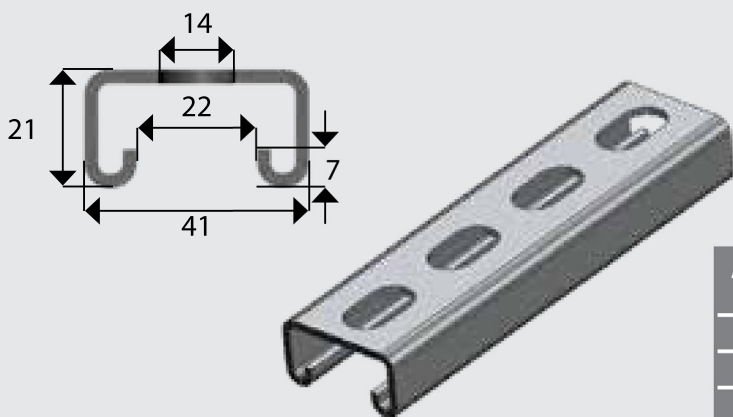


E3300S SLOTTED CHANNEL



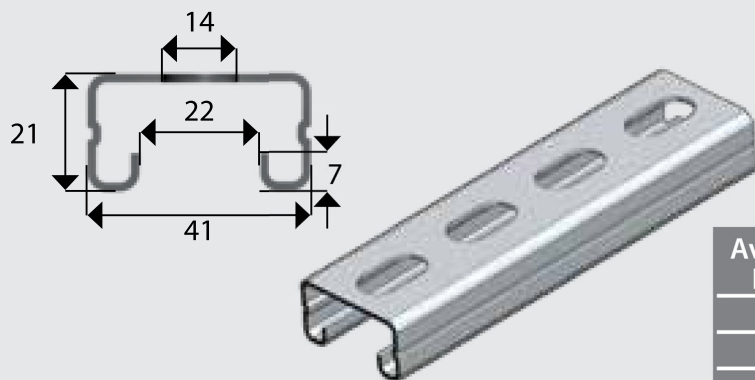
MEDIUM DUTY

- Supplied in 6m lengths
- 41x21mm, 2.5mm THK
- 28.5 x 14mm slots are punched continuously at 50mm centres.

Available Finish	Weight	Part Number	Service Guide
M	10kg/6m	E3300SM	C
G	9.7kg/6m	E3300SG	A
H	10.7kg/6m	E3300SH	A
S	10.3kg/6m	E3300SS	A



E4000S SLOTTED RIBBED CHANNEL



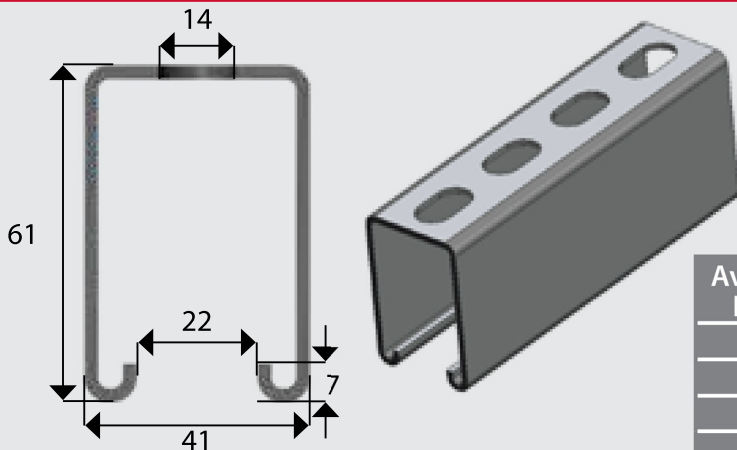
LIGHT DUTY

- Supplied in 6m lengths
- 41x21mm, 1.6mm THK
- 28.5 x 14mm slots are punched continuously at 50mm centres.

Available Finish	Weight	Part Number	Service Guide
M	7.1kg/6m	E4000SM	C
G	7.1kg/6m	E4000SG	A
H	7.5kg/6m	E4000SH	B
A	2.5kg/6m	E4000SA	C



E5500S SLOTTED CHANNEL



VERY HEAVY DUTY

- Supplied in 6m lengths
- 41x61mm, 2.5mm THK
- 28.5 x 14mm slots are punched continuously at 50mm centres.

Available Finish	Weight	Part Number	Service Guide
M	19.5kg/6m	E5500SM	C
G	18.8kg/6m	E5500SG	A
H	20.7kg/6m	E5500SH	A
S	20kg/6m	E5500SS	C



FASTENERS

STRUT SYSTEMS

CABLE SUPPORTS

FIRERATED

PIPE SUPPORTS