

13A 25m 230V 4 Gang Handbag Style Cable Reel with Thermal Cut-Out

Product Ref: **CRHB25134TC**

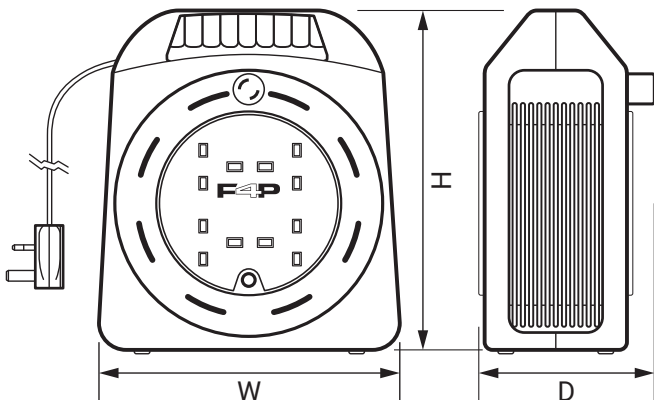
Technical Features:

- Suitable for a variety of domestic and commercial power solutions
- Thermal cut-out gives extra protection
- Sockets: 4 x 13A 230V
- Max current fully wound: 5A (1200W)
- Max current fully unwound: 13A (3120W)
- Cable: A05VV-F 3 x 1.25mm²



Product Specification

Cable Colour	Black
Cable Length	25m
Cable Type	1.25mm 3 Core PVC Flex
Colour	Red/Black
Compliance	UKCA, CE
Current Rating	13A
Fused	Yes
Guarantee	1 Year
Mounting	Free Standing
Number of Gangs	4
Retractable	Yes
Safety Cut Out	Thermal Cut-Out
Socket Type	Domestic
Standards	BS EN 50525, BS EN 61242
Switched/Unswitched	Unswitched
Type	Handbag Style
Voltage Rating	230V
Weight	3.110kg
Depth	140mm
Height	290mm
Width	230mm



Errors and omissions excepted (E&OE). All information is subject to change without notice and is correct at the time of print. Refer to issue number and date below.

Tel: +44 (0)1302 765 570 • f4p-products.com • @F4Pinfo