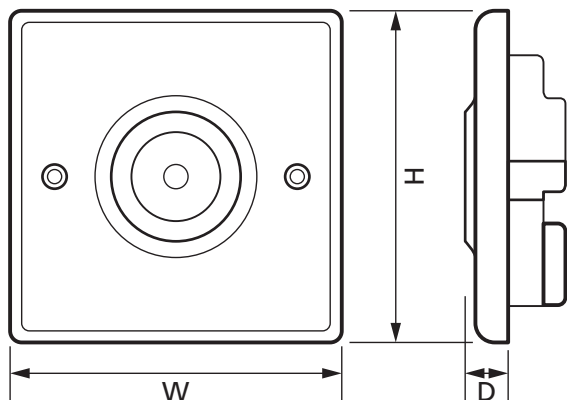


2 Wire Standard Pushbutton Time Delay Switch

Product Ref: **F4P2WPB**

Technical Features:

- Easy to install and operate
- 2-wire (Live and Switch live)
- 10A All lighting load type
- No neutral required
- 16 Timer settings from 2 minutes to 1 hour (including 10 sec Test mode)
- Replaces existing switches
- Can be interlinked with other 2 wire F4P2WPB for 2-way switching
- 24/7 mains supply required when operational
- UV Resistant
- Suitable for use with 25mm BS back box
- Please note: F4PPFCC capacitor will often be required when switching certain types of loads



Product Specification

Cancellation Function	Yes
Colour	White
Compliance	UKCA, CE
Current Rating	10A
Frequency	50/60Hz
Guarantee	3 Years
Material	Flame Retardant ABS
Mounting	Wall
Number of Wire Connections	2
Power Consumption	0.4W
Re-Trigger Function	No
Standards	BS EN 60669, BS EN 60669-1, BS EN 60669-2-1, BS EN 60669-2-3
Suitable For	Resistive, Incandescent, Fluorescent, Compact Fluorescent and LED Loads
Terminal Capacity	2.5mm ²
Timer Range	2 - 60mins
Type	Pushbutton
Voltage Rating	230V
Weight	0.097kg
Depth	10mm
Height	85mm
Width	85mm

Errors and omissions excepted (E&OE). All information is subject to change without notice and is correct at the time of print. Refer to issue number and date below.

Tel: +44 (0)1302 765 570 • f4p-products.com • @F4Pinfo