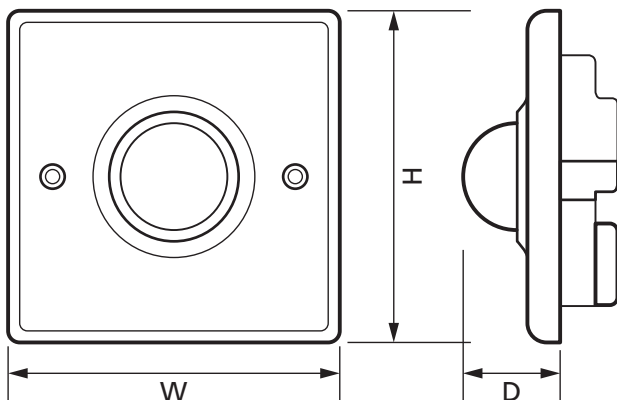


3 Wire Standard PIR Time Delay Switch

Product Ref: **F4P3WPIR**

Technical Features:

- Easy to install and operate
- 3 wire (Live, Switch live and Neutral)
- 10A rated regardless of load type
- Neutral required
- 16 Timer settings from 2 mins to 1 hours
- Can be interlinked with other 3 wire Standard PIRs for 2-way switching
- Replaces existing switches
- 24/7 mains supply required when operational
- UV Resistant
- Suitable for use with 25mm BS back box
- Please note: F4PPFCC capacitor will often be required when switching certain types of loads



Product Specification

Cancellation Function	No
Colour	White
Compliance	UKCA, CE
Current Rating	10A
Detection Angle	360°
Detection Range	5 - 7m
Frequency	50/60Hz
Guarantee	6 Years
Material	Flame Retardant ABS
Mounting	Wall
Number of Wire Connections	3
Power Consumption	0.65W
Re-Trigger Function	No
Standards	BS EN 60669 BS EN 60669-1 BS EN 60669-2-1 BS EN 60669-2-3
Suitable For	Resistive, Incandescent, Fluorescent, Compact Fluorescent and LED Loads
Terminal Capacity	2.5mm ²
Timer Range	2 - 60mins
Type	PIR
Voltage Rating	230V
Weight	0.087kg
Depth	10mm
Height	85mm
Width	85mm

Errors and omissions excepted (E&OE). All information is subject to change without notice and is correct at the time of print. Refer to issue number and date below.

Tel: +44 (0)1302 765 570 • f4p-products.com • @F4Pinfo