

40 to 300mm Adjustable Circular Hole Cutter Kit

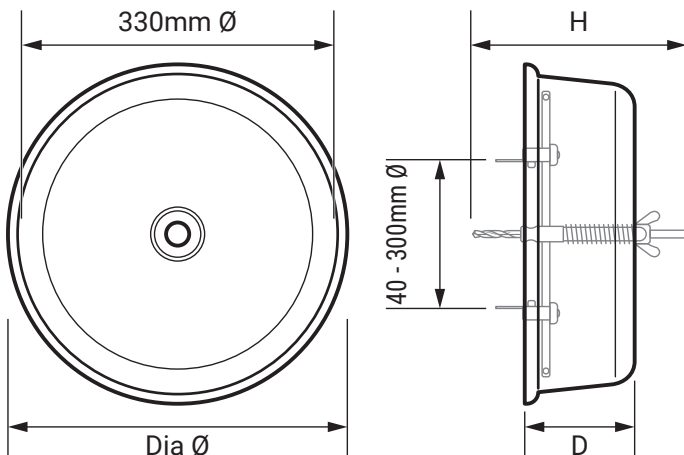
Product Ref: **F4PAHC40-300**

Technical Features:

- For cutting plasterboard, fibreboard, plywood, wood and acrylic
- Compression spring helps to reduce vibration
- Transparent polycarbonate cowl collects dust and debris - especially useful if drilling a ceiling to fit a downlighter, as it helps to keep the drill cutting straight

Product Specification

Colour	Transparent
Compliance	UKCA, CE
Cut Diameter Ø	40 - 300mm
Guarantee	1 Year
Kit Contents	Adjustable Hole Cutter Mandrel with Cutting Blade Mounting Bar Assembly; Polycarbonate Dust Cover; Ø10mm Pilot Drill; Ø8mm Pilot Drill for Wood; 4 x Tungsten Carbide Tipped Cutting Blades; 5 x Heat-Treated Carbon Steel Wood Drill Bits: Ø4mm, Ø5mm, Ø6mm, Ø8mm, Ø10mm; 5 x Tungsten Carbide Tips Masonry Drill Bits: Ø4mm, Ø5mm, Ø6mm, Ø8mm, Ø10mm; Hexagon Key Wrench; 3m Tape Measure; Carpenters Pencil
Material	Steel / Plastic
Suitable For	Plasterboard, Fibreboard, Plywood, Wood and Acrylic
Supplied With	Robust Storage Case
Weight	3.495kg
Depth	98mm
Diameter Ø	360mm
Diameter - internal Ø	330mm
Height	240mm



Errors and omissions excepted (E&OE). All information is subject to change without notice and is correct at the time of print. Refer to issue number and date below.

Tel: +44 (0)1302 765 570 • f4p-products.com • @F4Pinfo