

## 3 Piece Sheet Steel Bi-Metal Holesaw Kit

Product Ref: **F4PSS3PSET**

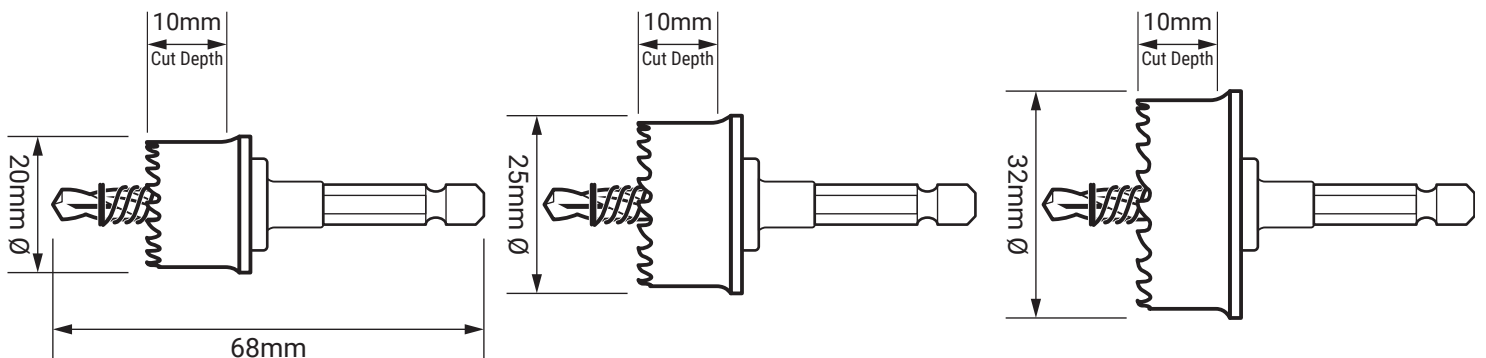
### Technical Features:

- Bi-metal construction
- Cuts steel up to 1.6mm
- Suitable for use with impact drivers
- Internal spring automatically ejects the metal disc for hassle-free hole cutting
- Kit contains 20mm, 25mm and a 32mm holesaw
- Each holesaw supplied with replacement spring



## Product Specification

Colour	Red
Compliance	UKCA, CE
Cut Depth	10mm
Drill Shank Type	Hex
Kit Contents	1 x Ø20mm Holesaw 1 x Ø25mm Holesaw 1 x Ø32mm Holesaw 3 x Replacement Springs
Material	Bi-Metal
Size	20mm - 25mm - 32mm
Suitable for	Cutting Steel up to 1.6mm
Supplied With	Carry Case
Type	Hole Saws
Weight	0.342kg
Depth	46mm
Height	170mm
Width	195mm



Errors and omissions excepted (E&OE). All information is subject to change without notice and is correct at the time of print. Refer to issue number and date below.

Tel: +44 (0)1302 765 570 • f4p-products.com • @F4Pinfo