



20L TAURUS PORTABLE DEHUMIDIFIER

User Instructions


LEVDEHUMIDIFIER20L



PLEASE READ THESE INSTRUCTIONS CAREFULLY - CHECK THE APPLIANCE BEFORE USE AND ENSURE IT IS FREE FROM ANY SIGN OF DAMAGE WHICH COULD OCCUR DURING TRANSPORTATION

IMPORTANT SAFEGUARDS

Before use, please read and follow these instructions carefully, even if you feel you are familiar with the appliance. They contain important information concerning the operation, safety and maintenance when using the appliance. Please retain these instructions for future use and reference.

- Keep the unit upward when transporting and storing.
- Once the appliance has been unpacked - leave the appliance upright on a level surface for a minimum of 24 hours to allow the gases to settle, before connecting to a power supply.
- This appliance contains 80g of refrigerant gas R290.
- Compliance with national gas regulations shall be observed. Keep ventilation openings clear of obstruction.
- R290 is a refrigerant gas that meets European environmental protection directives. Do not drill into or damage any part of the cooling circuit. 
- Never attempt to remove, disassemble or repair the refrigeration unit. Only a qualified engineer should handle refrigerants safely in accordance with local authority regulations.
- Never move the appliance whilst it is in operation.
- Never use the appliance in confined spaces (in or between cupboards or cabinets). Allow a clearance of 200mm to the sides and rear and 500mm to front and above the appliance.
- Never store or move the appliance upside down or sideways to avoid damage to its compressor.
- Only connect the appliance if the voltage indicated on the product label(s) corresponds with the mains voltage.
- Never handle the plug with wet hands, or flush the appliance directly with water, or place this appliance near any water source.
- Never insert fingers, pencils or any other objects into the air in/outlet grilles when the appliance is running.
- Do not place objects in or near the air outlet of this appliance. Do not place any objects into the appliance.
- Do not put flammable and/or explosive gases near the appliance when in use, keep this appliance away from any heat source(s).
- Do not unplug the appliance by pulling on the cord. To unplug grasp the plug, not the cord.
- Children should be supervised to ensure that they do not play with the appliance.
- The appliance can be used by children aged from 8 years and above and persons with reduced physical, sensory or mental capabilities or lack of experience and knowledge if they have been given supervision or instruction concerning use of the appliance in a safe way and understand the hazards involved. Children shall not play with the appliance. Cleaning and user maintenance shall not be made by children without supervision.
- This appliance is intended for household use ONLY - do not use outdoors. The appliance is only intended for private and not for commercial use.
- Do not operate the appliance with a damaged cord or plug. If the supply cord is damaged, it must be replaced by the manufacturer, its service agent or a similarly qualified person to avoid a hazard.
- Do not attempt to repair, disassemble or refit this appliance.
- Only use this appliance on a horizontal and stable surface. Also avoid using the appliance in an excessive dust environment.
- Sufficient ventilation must be provided in the room where this appliance is installed operated or stored.
- Do not use the appliance near an open window. Rain splashing onto the appliance could cause an electric shock hazard.
- Do not use the appliance where water is likely to splash (bath, shower or swimming pool).
- Use a damp cloth for clean and a dry cloth to dry. Do not use cleaning chemicals.
- Servicing shall only be performed as recommended by the manufacturer, its service agent or a similarly qualified person authorised in the use of flammable refrigerants.
- Do not use, if unusual sounds, smell or smoke is detected.

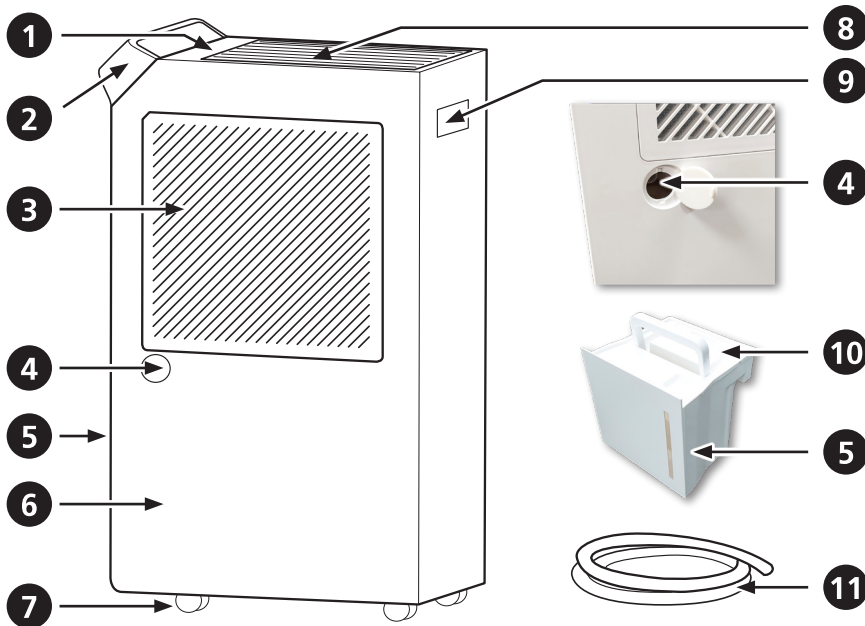
IMPORTANT

- If using continuously or used unattended for a long period of time - please check at least once a week.

Do not use continuously if the temperature around the water pipe drops below zero 0°C.

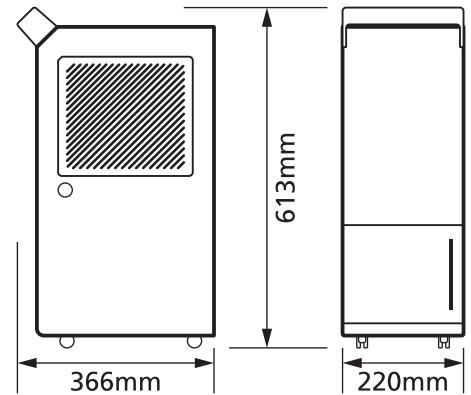
FEATURES

- Dehumidification performance max 20L/day
- Humidity setting range from 40 - 80% RH with 5% increment
- Comfort mode: between 45% and 55%RH
- Continuous dehumidifying / Laundry mode
- Child lock
- LED display & Touch control
- Condensate full alarm & auto-off
- Omni-directional casters
- Ionizer
- Automatic defrost
- Auto restart
- Complete with 1.5m cable and plug
- 1m Drain hose included



APPLIANCE DESCRIPTION

- | | |
|---|---------------------------|
| 1. Control Panel | 6. Main Body |
| 2. Front Handle | 7. Castors |
| 3. Air Inlet Grille | 8. Air Outlet Grille |
| 4. Drainage Outlet | 9. Rear Handle |
| 5. Condensate Tank with water level indicator | 10. Condensate Tank Lid |
| | 11. Continuous Usage Hose |



Product Ref	Watts	Description	Extraction Rate	Weight (kg)	Width (mm)	Height (mm)	Depth (mm)
LEVDEHUMIDIFIER20L	270W	20L TAURUS Portable Dehumidifier	20L/day	14.8	220	613	366

Technical Specifications			
Extraction Rate	20L/day	Operation Temperature	5°C - +35°C
Air Flow	170m³/hr	Working area of product	Not Less Than 9m²
Max Noise Level	<45dB (A)	Suitable for area	20-30m²
Condensate Tank Size	3.5L	Moisture Removal Capacity	20L/day (30°C RH 80%)
Standby Power Consumption (W)	0.5W		14L/day (27°C RH 60%)



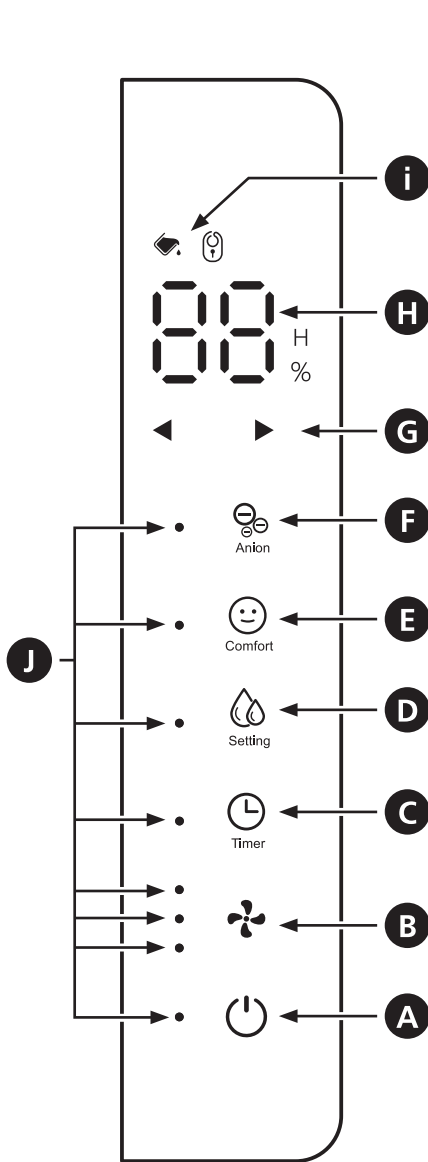
BEFORE FIRST USE

Before first use, take the appliance and its accessories out of the packaging material and remove all promotional labels and stickers.

Check that neither the appliance nor any of its parts are damaged.

- Do not move the appliance over carpets, door thresholds or other obstacles with the castors. This could damage them.
- Do not move the appliance when the condensate tank is full.

CONTROL PANEL DESCRIPTION



- A. Power ON / OFF Button
- B. Fan Speed / Child Lock Button
Child Lock Indicator
- C. Timer Button
- D. Humidity Setting Button
- E. Comfort Mode Button
- F. Anion Button (Ionization)
- G. Left / Right Adjustment Buttons
- H. Display
- i. Child lock Indicator and
Condensate Tank Full Indicator
- J. Indicator Lights

(A) ON / OFF Button

Connect to a power supply, appliance will beep 3 times. Press the power button, the appliance is ready for use.

(B) Fan Speed / Child Lock Button

A single press to set the fan speed of the appliance: High (3 Indicator lights), Medium (2 Indicator lights) or Low (1 Indicator light).

Long press will activate or cancel child lock function.

(C) Timer Button

To set the shutdown time, press the Timer button, press the Left or Right button repeatedly to set the delay OFF time - 1 hour increments of 24 hours. Note: Units represent hours. E.g.: '01' equals 1 hour.

(D) Humidity Setting Button

The indicator lights on and the humidity symbol "%" is turned on, the Left or Right adjustment buttons (G) light up; at this time, the required target humidity can be set through the left or right adjustment buttons. The humidity range is between 40 - 80% with the initial state being "40".

The value increases or decreases by 5% every time the button is pressed. The setting will be valid after no further operation on Left and Right adjustment button(s) for more 3 seconds, meanwhile, the Left and Right Adjustment button will be closed synchronously and resume the normal display state.

(E) Comfort Mode Button

When pressed the indicator comes on, the appliance will enter the status of comfortable dehumidification (humidity will be controlled automatically between 45 - 55%).

(i) Child Lock and Condensate Tank Indicator Light

When the condensate tank full indicator is on, the appliance will stop. All buttons are locked.

When the child lock indicator is on, all buttons are locked.

(5) Condensate Tank Drainage

When the Condensate Tank alarm goes off, the Condensate Tank Full Indicator light is on (i), and the water quantity can be viewed through the tank window; Gently pull out the tank with your hand hooking the buckle at the bottom of the tank. You can carry the Condensate tank with it's built-in handle to empty, then lift the condensate tank lid (10) at the corner of the tank lid, and slowly tilt the tank to empty the condensate.

(F) Anion Button

Press to activate the Ionization function of the appliance, press again to deactivate this function.

OPERATIONAL INSTRUCTIONS

Installation Location Of The Appliance:

- Place the appliance on an even, dry and stable surface within reach of a properly grounded power socket.
- Do not use the appliance outdoors.
- To ensure sufficient air circulation, allow a clearance of 200mm to the sides and rear and 500mm to front and above the appliance.
- Locate the appliance in a room where temperature does not fall below 5°C. If the temperature were to fall below 5°C, there is a risk of frost forming inside the appliance, which would reduce its efficiency.
- Do not use the appliance in the vicinity of dryers, heating devices and other sources of heat.
- Use the appliance in locations where humidity could damage books or other valuable items.
- The appliance must be used in a closed room in order to ensure its maximum effectiveness. Therefore, close the doors and windows of the given room.

Operating The Appliance:

- The appliance is used for drying out, for example, flooded basements, rooms with an increased level of moisture, etc. Do not use it in areas where substances or items are stored requiring precise room temperature and humidity control.
- Use the appliance at an ambient temperature in the range 5°C - 35°C and at a humidity of 30% - 80%. These values will ensure the most effective operation of the appliance.
- Always wait at least 3 minutes before turning the appliance on again.
- Do not connect the appliance to a power socket to which another appliance is already connected. We recommend connecting the appliance to an independent circuit.
- Make sure that the condensate tank is correctly installed in the appliance, otherwise the appliance may not function correctly.
- Make sure that the appliance is located in a suitable place and that it is correctly assembled. Then insert the power plug into a power socket. Three sounds will be made. The appliance is in stand-by mode.

Turning ON/OFF:

- Press the **(A)** power button to turn on the appliance. A single beep will be made. The indicator light will be lit. The appliance will start automatically in the default continuous dehumidification mode. The display will show the humidity in the room and the fan will start running.
- If you need to turn off the appliance, press the **(A)** power button and the indicator light will turn off. The appliance is now in stand-by mode. If you need to turn the appliance off completely, pull the power plug out of the power socket.
- The operation of the appliance will stop automatically if the condensate tank is full or incorrectly installed.

Note:



The appliance will start in last set mode when it is turned on again even though it has been disconnected from the power plug, or in the event of a power outage.

Setting the Fan speed:

- Press the **(B)** Fan Speed / Child Lock button to set the fan speed. Each time the button is pressed will set the required speed: **H** (high speed, 3 indicator lights) - **M** (medium speed, 2 indicator lights) - **L** (low speed, 1 indicator light).

Automatic Shut-Off:

- The appliance is equipped with an automatic shut-off function that is activated after a set time has elapsed.
- Press the **(C)** timer button to set the automatic shut-off time. Press the Timer button, press the Left or Right button repeatedly to set the delay OFF time - 1 hour increments of 24 hours, the respective indicator light will be lit. When the set time has elapsed, the appliance will turn off and switch to the stand-by mode.

Child lock:

- The lock enables the control panel elements to be locked in order to prevent accidentally changing your settings.
- Press and hold down the **(B)** Fan Speed / Child Lock button to activate the control panel lock. All the buttons on the control panel will be inactive. The lock indicator light on the control panel will be lit **(i)**.
- If you need to deactivate the lock, press and hold down the **(B)** Fan Speed / Child Lock Button. The lock will be cancelled and the lock indicator light on the control panel will turn off.

Full Condensate Tank Indicator:

- If the condensate tank becomes full while the appliance is in operation, the compressor and the fan will stop running and the full condensate tank indicator light **(i)** will be lit on the control panel.
- Carefully pull the condensate tank out of the front part of the appliance and pour out the condensate.
- When the condensate tank is reinstalled, the appliance will automatically resume operation. When the appliance is in the dehumidification mode, the compressor will start only after 3 minutes.

Automatic Defrosting:

- If the temperature sensor of the vaporizer coil registers a temperature lower than -2°C , the appliance will automatically switch to the automatic defrosting mode. "HS" will appear on the display. After defrosting, the appliance will switch back to the initial operating mode.
- If the frost on the surface of the vaporizer melts away and the temperature is higher than 2°C and the defrosting time is greater than 10 minutes, then the automatic defrosting function will turn off and the dehumidification mode will start.



Note:

If the temperature is still low, the appliance will intermittently switch between the automatic defrosting mode (10 minutes of operation and dehumidification mode (30 minutes of operation).

Continuous Condensate Draining via the Drain Hose:

- For continuous draining of condensate, open the plastic plug on the side of the appliance (4).



Note:

If there is water in the outlet when the drain hole plug is opened, wipe it using a dry cloth.

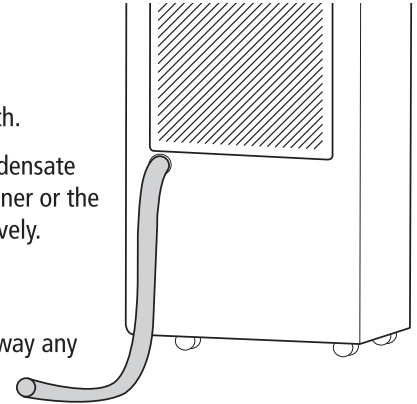
Connect the end of the drain hose to the outlet. Ensure that it is properly connected so that the condensate does not leak. Locate the free end of the hose so that the condensate can flow out freely. The container or the place where the condensate is drained must be lower than the outlet. Do not bend the hose excessively.

Set the required humidity and fan speed.



Note:

When not using the drain hose for continuous draining of condensate, remove it, wipe away any water and close the drain hole outlet using the plug.



Smart Protective Elements

Protection against low/high temperature:

- If the temperature/humidity sensor at the air inlet detects that the ambient temperature is greater than 42°C , then "L3" will start flashing on the display. The appliance will stop completely. At this point, it is possible to restart the appliance by turning it off and on again.
- If the temperature/humidity sensor at the air inlet detects that the ambient temperature is less than 0°C , then "L4" will start flashing on the display. The appliance will stop completely. At this point, it is possible to restart the appliance by turning it off and on again.

Protection of the Compressor:

- The appliance is equipped with a compressor protection function, which prevents its damage in the event that the appliance is turned off and immediately turned on again. If this happens, the compressor will only start after 3 minutes. Only the fan will run during this time.
- If the appliance turns off for longer than 3 minutes, the compressor will start together with the fan.
- When using the appliance in the dehumidification mode or automatic defrost mode, it is necessary to remove the condensate tank and then to put it back in, or to turn the appliance off and then on again, however, the dehumidification mode will start only after approximately 3 minutes.

Temperature and Humidity Malfunction Detection:

- When the error message E1 starts flashing on the display, then the vaporizer coil temperature sensor is damaged or it has been short circuited. If this happens, the appliance will continue to operate, but the compressor will run for 30 minutes and then turn off for 10 minutes. This will repeat itself in cycles. Turn off the appliance and contact the authorised distributor.



Note:

When a sensor malfunction is detected, all the control elements remain fully functional, however, the performance of the appliance may decline slightly.

- When the error message E2 starts flashing on the display, the temperature and humidity sensor components are damaged or they have been short circuited or they are not in contact. If this happens, all the control buttons, with the exception of the (D) Humidity Setting Button, will be fully functional and the appliance will switch to the continuous dehumidification mode. Turn off the appliance and contact the authorised distributor.

TROUBLESHOOTING

In case of the following circumstances, please refer to the following solutions:

Problem	Cause	Solution(s)
The appliance is emitting hot air.	This is normal. Dehumidified air passes through a heating element, whereby the air is heated up (without the cooling function).	
The appliance is not removing humidity from the room.	Temperature and humidity in the room is low.	If the temperature and humidity in the room is low, reduce dehumidification power. Check the temperature and humidity in the room. As a rule, humidity will be higher during the cooler months. This is not a defect.
The appliance will stop.	The plug is not correctly plugged into the power socket.	Insert the plug correctly into the power socket.
	Air inlet and outlet vents are blocked.	Remove the cause of the blockage and check that the vents are clean.
	Full condensate tank indicator light (i) is lit.	Empty the condensate tank. Proceed according to the instruction in section "Condensate Tank Full Indicator".
	The Running Indicator light is lit.	The defrosting process was started. Wait until the process finishes; the appliance will then switch back to the initial operating mode.
The appliance cannot achieve the set humidity level.	The room is too large.	Only use the appliance for the recommend room floor area - see technical specifications.
	Windows or doors are open.	Close any windows or doors.
	An oven or another appliance is generating water vapour.	Turn off the oven or other appliance that is generating water vapour. e.g. humidifier or aromatic diffuser.
The humidity shown on the display does not correspond to other humidity measurement devices in the room.	Humidity may differ from place to place, even within a single room. The humidity shown on the display of the appliance is only indicative.	
The emitted air has a foul smell.	When the temperature of the heat exchanger and the cooler is abnormal, it may temporarily emit an odour. This is not a defect.	
The appliance is making a gurgling noise.	This is the noise of refrigerant flowing through the internal circuit. As a rule, this noise occurs when the appliance is turned on or off before the refrigerant stabilises. This is normal.	
The appliance is too noisy while running.	The appliance is not set level.	Move the appliance to a firm, level location.
	The appliance is located in a tight area.	Place a mat underneath the appliance.

Error messages on the Display	Meaning	Solution(s)
E1	Error on the coil temperature sensor or a related malfunction of the circuit.	Turn off and restart the appliance the fault is still present, please contact authorised distributor.
E2	Malfunction of the temperature and humidity sensor	Turn off and restart the appliance the fault is still present, please contact authorised distributor.
L3	Air inlet temperature is too high ($\geq 42^{\circ}\text{C}$).	Turn of the appliance and turn back on, when the ambient temperature returns to the normal operating temperature.
L4	Air inlet temperature is too low ($\leq 0^{\circ}\text{C}$).	
HS	The appliance as switched to the automatic defrosting mode.	When the defrosting process is completed, the appliance will automatically switch to the last setting mode.



FIRE HAZARD

The appliance contains a flammable refrigerant. It is necessary to adhere to safety instructions.

- This unit contains flammable refrigerant gas R290, additional safety precautions must be followed.
- R290 is a refrigerant gas that meets European environmental protection directives. Do not drill into or damage any part of the cooling circuit.
- This appliance contains 80g of refrigerant gas R290.
- Compliance with national gas regulations shall be observed. Keep ventilation openings clear of obstruction.
- Do not use other sources of heat to accelerate the defrosting process.
- The appliance must be installed, operated and stored in a room with a floor area greater than 9m² without continuously operating use and without an ignition sources (for example: open flames, an operating gas appliance or an operating electric heater).
- Do not pierce or burn refrigerant unit. Be aware that refrigerants may not contain an odour.
- Keep ventilation openings clear of obstruction.
- When handling, installing and operating the appliance. Care should be taken to avoid damage to the refrigerant unit.
- Do not drill holes in the appliance.
- Maintenance, cleaning and service should only be performed by the manufacturer, its service agent or a similarly qualified person to avoid a hazard and qualified in the use of flammable refrigerants.
- Disposal of the appliance should be in accordance with local regulations. Flammable refrigerants require special disposal procedures.
- Keep the unit upward when transporting and storing.
- Once the appliance has been unpacked - leave the appliance upright on a level surface for a minimum of 24 hours to allow the gases to settle, before connecting to a power supply.
- Never move the appliance whilst it is in operation.
- Never use the appliance in confined spaces (in or between cupboards or cabinets).
- Never store or move the appliance upside down or sideways to avoid damage to it's compressor.

CARE & CLEANING

Disconnect the appliance's plug from the supply socket before cleaning.

- The appliance should be cleaned regularly.
- Only wipe with a soft damp cloth. Do not use detergent or abrasives.
- Do not scrape the surfaces with sharp hard tools.



Warning:

To prevent the risk of injury by electrical shock, do not submerge the appliance, power cord or power plug in water or any another liquid.

Cleaning the condensate tank:

- Empty out the condensate tank whenever you finish using the appliance and wipe it using a cloth.
- To prevent undesirable bacteria, micro-organism or moulds from multiplying inside the tank, clean it out at least once per month using a cloth dampened in lukewarm water with the addition of neutral detergent. Then rinse it out thoroughly using clean water, wipe it dry and insert it back into the appliance.
- Do not wash the condensate tank in a dishwasher.

Cleaning the outer case and Air Inlet Grille:

- To clean the outer case, use a cloth lightly dampened in lukewarm water with the addition of a neutral cleaning agent. Make sure that water does not enter into the vents. In the event that air inlet and outlet grille is only dusty, a vacuum cleaner may be used to clean them.

DISPOSAL

In accordance with European Directive 2002/96/EG concerning waste electrical and electronic equipment (WEEE), please return any electrical equipment that you will no longer use to the collection points provided for their disposal.



This symbol indicates that the appliance cannot be treated as normal domestic waste, but must be handed to a collection point for where electric and electronic appliances are recycled

Information concerning where the equipment can be disposed of can be obtained from your local authority.

