

45.7mm No.18 PVC / SWA Cable Cleat

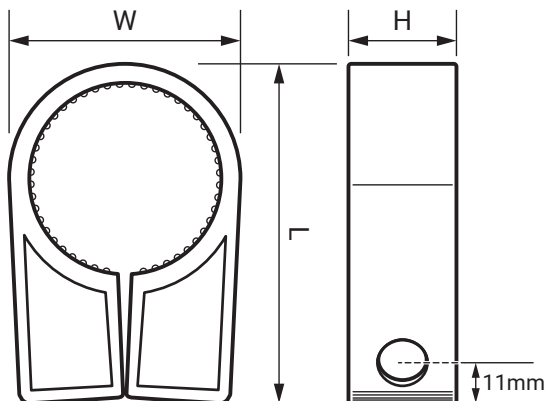
Product Ref: **NO.18**

Technical Features:

- Single fixing cable cleat provides a simple, but strong means of securing cables
- Protect cables from damage, vibration and chafing due to excessive movement
- Provides strain relief
- Corrosion resistant
- Suitable for SWA and heavy duty cables

Product Specification

Colour	Black
Compliance	UKCA, CE
Guarantee	1 Year
Material	Low Density Polyethylene
Minimum Cable Diameter Ø	40.5mm
Maximum Cable Diameter Ø	45.7mm
Stud Hole Size	M10
Suitable for	SWA and Heavy Duty Cables
Type	No.18
Weight	0.033kg
Height	25mm
Length	74mm
Width	53mm



Errors and omissions excepted (E&OE). All information is subject to change without notice and is correct at the time of print. Refer to issue number and date below.

Tel: +44 (0)1302 765 570 • f4p-products.com • @F4Pinfo