

## 24A Tee 3 Port Junction Box IP67 TeeBox

Product Ref: **THK200/3B**

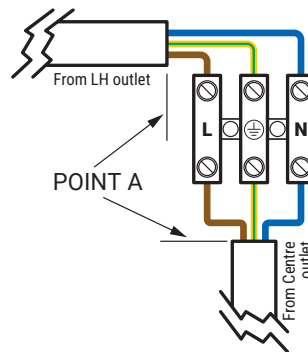
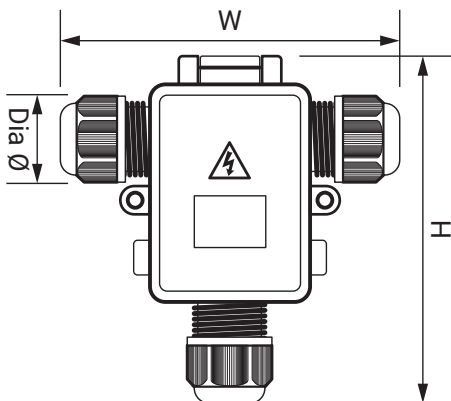
### Technical Features:

- Accommodates cable diameters from 4 to 9.5mm<sup>2</sup>
- Hinged lid with a tamper resistant snap-shut action
- 3 pole terminal block
- Temperature range of -40 to +125°C
- Complete with x9 seals, locking caps, fixings and x1 blanking plug (for 2 way applications)



## Product Specification

Cable Size Range	4 - 9.5mm <sup>2</sup>
Cable Entry	3 x Compression Gland Entries
Colour	Black
Compliance	UKCA, CE, RoHS, ENEC, Nemko
Current Rating	24A
Gland Tighten Torque	2.5Nm (max)
Guarantee	1 Year
IP Rating	IP67
Material	PA66-SEBS-TPE
Number of Conductors	2 x 1.5mm <sup>2</sup> each side
Number of Poles	3 Pole
Number of Terminals	3
Stripping Length	See table below
Suitable For	Round cable only Indoors or Outdoors
Supplied With	x9 seals, locking caps, fixings and x1 blanking plug (for 2 way applications)
Temperature Range	-40 to +125°C
Terminal Capacity	4mm <sup>2</sup>
Terminal Type	Screw
Rated Insulation Voltage	450V
Weight	0.045kg
Depth	22mm
Diameter Ø	19mm
Height	80mm
Width	75mm



### Stripping Lengths:

Unsheathed wire lengths (mm) from POINT A (see diagram) to the terminal block - includes conductor strip length for termination.

	L	⊕	N
LH outlet	30	40	50
RH outlet	50	40	30
Centre outlet	35	20	35
Conductor length (all wires)	8	8	8

Errors and omissions excepted (E&OE). All information is subject to change without notice and is correct at the time of print. Refer to issue number and date below.