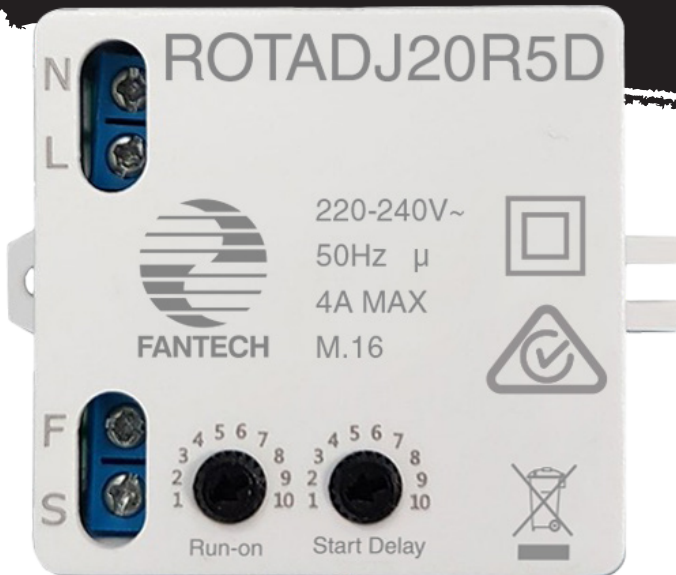


FANTECHTRADE ///

MADE FOR TRADE

**FULLY ADJUSTABLE
RUN-ON TIMER
INSTALLATION & MAINTENANCE
INSTRUCTIONS**



ROTADJ20R5D

ROTADJ20R5D – Fully Adjustable Run-on Timer

▲ Important

All electrical installations must be carried out by suitably qualified and competent personnel in accordance with all statutory requirements.

SETTINGS

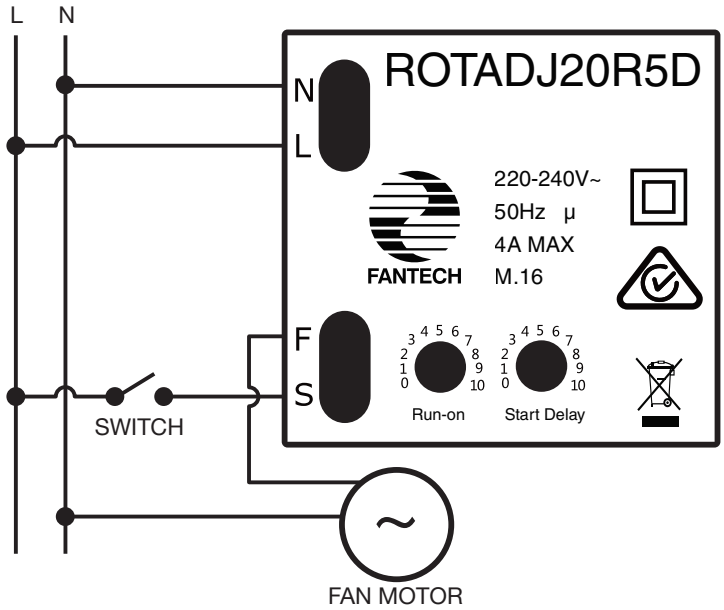
▲ Warning

Treat the product as live and dangerous when power is connected. Only connect power to the product when it has been safely sealed away inside a flush box or terminal box.

01. Select the desired fan START DELAY time you want by adjusting the Off-Time potentiometer, located on the front of the unit.
02. Select the desired fan RUN-ON time you want by adjusting the On-Time potentiometer.
03. Ensure the wall switch is open for 5 seconds after power is applied.

Potentiometer Value	On-Time (Run-On)	Off-Time (Delay Start)
0	0 min	0 secs
1	2 min	30 secs
2	4 min	1 min
3	6 min	1.5 min
4	8 min	2 min
5	10 min	2.5 min
6	12 min	3 min
7	14 min	3.5 min
8	16 min	4 min
9	18 min	4.5 min
10	20 min	5 min

WIRING DIAGRAM



WARRANTY



Scan the above QR code or visit
www.fantech.com.au/warranty
to view **WARRANTY**
information online



www.fantechtrade.com.au
www.fantechtrade.co.nz

Australia: 1300 387 587
New Zealand: 0800 106 266

info@fantechtrade.com.au