



**FIRESAFE RED 6" 24VDC
EASY INSTALL CLAMBELL**

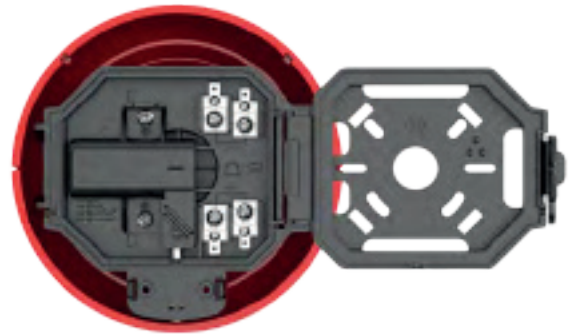
Manufactured in the UK, the ClamBell® EN54-3 approved fire bell incorporates traditional and innovative design. The hinged design of ClamBell® means installers benefit from reduced installation time. Once fitted to the wall and wired to the circuit, ClamBell® clicks shut.

Low power consumption and good sonorous tone result from use of an aluminium gong which also significantly reduces weight.

- Permanently fitted gong
- Discreet and modern looking
- Low power consumption
- Hinged base design for reduced installation time
- Shallow base
- Accepts screw to avoid tampering
- Dimensions (WxHxD) – 150 x 150 x 64mm
- Weight - 0.38kg

Specification

6" (150 mm) Internal - 24 V dc	
Base Type	Shallow Base
Rated Voltage (V)	20.4 - 27.6
Rated Current @24 V (mA)	12
Starting Voltage (V)	11
Sound Output dB(A) @1 m (max)	96.0
Temperature Range (C°)	-10 - +50
Humidity Range (%)	≤96 %
Weight (g)	378 g
Gong Colour	Red
Gong Construction	Aluminium
IP Rating	IP21C



Shallow Base
Dimensions (mm)

