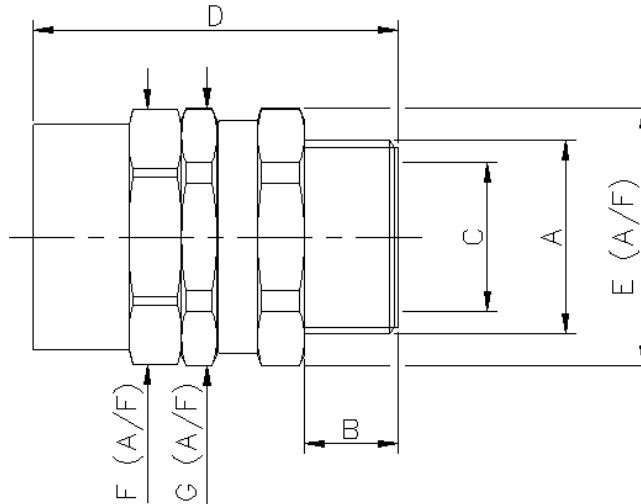
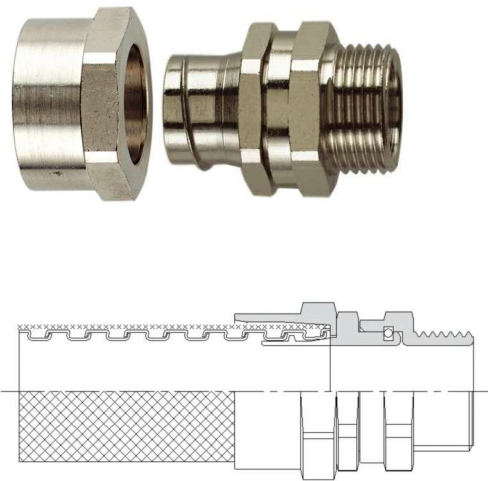



Technical Data Sheet:	DS553-3
Product Description	Straight, Swivel, external thread, nickel plated brass, FB & FUS SB conduit fitting.
Product Range	FB - S Type fitting (Metric Threads)

FLEXICON
 FLEXIBLE CONDUIT SOLUTIONS
 Roman Way, Coleshill
 Birmingham
 B46 1HG, United Kingdom
 Tel: 00 44 (0)1675 466900
 Website: www.flexicon.uk.com

MADE IN THE UK
 bsl
 U.K.A.S.
 FM58347



Material: Nickel Plated Brass with internal plated steel circlip
Colour: Self colour
Fire Performance: Inherently Low Fire Hazard 
IP Rating: • IP40
Applications: Suitable for threaded entries or knockouts.
Features: • High tensile strength 120kg (20mm size)
Temperature Performance: -100°C to +300°C

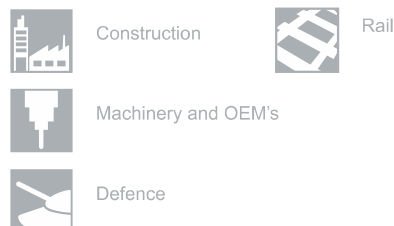
Conduit Size	Part No.	Metric Thread	Nominal Dimensions (mm)					
			A	B	C	D	E	F (A/F)
12	FB12-M16-S	M16 X 1.5	9.0	8.5	36.2	17.0	17.0	17.0
16	FB16-M16-S	M16 X 1.5	10.0	11.5	38.1	20.0	20.0	20.0
16	FB16-M20-S	M20 X 1.5	10.0	11.5	38.1	22.0	20.0	20.0
20	FB20-M20-S	M20 X 1.5	10.0	15.3	40.0	24.0	24.0	26.0
25	FB25-M25-S	M25 X 1.5	12.0	19.1	47.2	29.0	29.0	29.0
32	FB32-M32-S	M32 X 1.5	13.0	26.0	52.6	38.0	38.0	38.0
40	FB40-M40-S	M40 X 1.5	14.0	34.6	57.8	48.0	48.0	48.0
50	FB50-M50-S	M50 X 1.5	15.0	44.7	60.2	58.0	58.0	58.0
75	FB75-M75-S	M75 X 1.5	20.0	65.0	87.0	84.0	84.0	84.0

Compliance, Approvals & Accreditation;



EN 61386 Classification Available on request
 Compliant to LUL Standard 1-085-A3

Typical Applications;



Errors, omissions and amendments excepted. As part of continuing product development Flexicon Ltd reserve the right to alter product specifications without prior notice. Data given is correct at time of compilation. Product specification and application data is for guidance only and does not constitute a warranty of any kind, either expressed or implied for Flexicon products or their suitability for a specific purpose. Third party approvals maybe limited to certain sizes within a product range.

Created by; Sarah Lee - Marketing Assistant	Approved by; Alex Smith - Technical Director	Date; May 2019	Page Number; Page 1 of 1
---	--	--------------------------	------------------------------------