

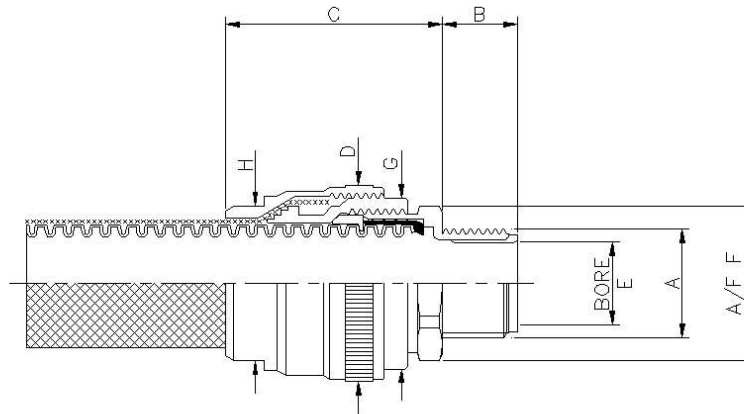
Technical Data Sheet:	DS816-3
Product Description	Straight, fixed external thread, nickel plated brass for FSSBRD
Product Range	FSSBRD C Type fitting (Metric threads)

FLEXICON

FLEXIBLE CONDUIT SOLUTIONS



Roman Way, Coleshill
Birmingham
B46 1HG, United Kingdom
Tel: 00 44 (0)1675 466900
Website: www.flexicon.uk.com



Material;
Nickel plated brass with polyester conduit seal and nylon conduit clip.

Colour:
Self coloured

Fire Performance:
Inherently low fire hazard



IP Rating:



Applications:

- Suitable for knockout
- Multi part compression fitting for braided stainless steel corrugated conduit
- Double compression nuts trap braid
- Provides high tensile strength and EMC screening

Temperature Performance:

-50 to +135°C

Conduit size	Part no	Metric thread	Dimensions (mm)						
			A	B	C	D	E	F	G
20	FSSBRD20-M20-C	M20 X 1.5	12	37	35	15.0	26	30	28
25	FSSBRD25-M25-C	M25 X 1.5	14	43	43	19.0	35	36	35

Internal threads, elbows etc available on request.

Other sizes available on request.

Compliance, Approvals & Accreditation;



EN 61386 Classification Available on request

Typical Applications;

- Machinery and OEM's
- Defence
- Rail

Errors, omissions and amendments excepted. As part of continuing product development Flexicon Ltd reserve the right to alter product specifications without prior notice. Data given is correct at time of compilation. Product specification and application data is for guidance only and does not constitute a warranty of any kind, either expressed or implied for Flexicon products or their suitability for a specific purpose. Third party approvals maybe limited to certain sizes within a product range.

Created by; Sarah Lee - Marketing Assistant	Approved by; Ian Gibson - Technical Director	Date; December 2017	Page Number; Page 1 of 1
---	--	-------------------------------	------------------------------------