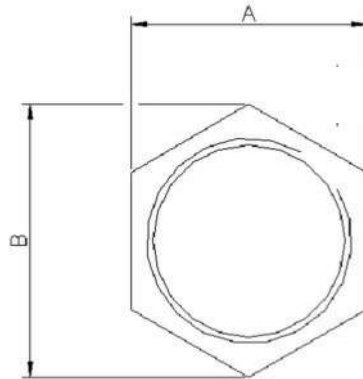


Technical Data Sheet:	DS222/0416
Product Description	Stainless Steel Locknuts - (Metric)
Product Range	Accessories - SS Locknut

Roman Way, Coleshill
Birmingham
B46 1HG, United Kingdom
Tel: 00 44 (0)1675 466900
Website: www.flexicon.uk.com



Material:
Stainless Steel (Grade 316)

Colour:
Self colour

Fire Performance:
Low Fire Hazard



IP Rating:

N/A

Applications:

Used to secure a fitting when used with non threaded entries

Temperature Performance:

-100°C to +600°C

Thread Size	Part No.	Dimensions (mm)			Max torque (NM)
		A	B	Thickness	
M16 x 1.5	SS-M16	20	23	3.5	20
M20 x 1.5	SS-M20	24	28	3.5	25
M25 x 1.5	SS-M25	30	34	3.5	30
M32 x 1.5	SS-M32	38	43	4.5	35
M40 x 1.5	SS-M40	48	53	5.0	35
M50 x 1.5	SS-M50	60	65	6.0	40
M63 x 1.5	SS-M63	70	76	6.5	40

Compliance, Approvals & Accreditation;



IEC EN 61386

EN 61386 Classification Available on request

Typical Applications;



Construction



Rail



Machinery and OEM's



Defence

Errors, omissions and amendments excepted. As part of continuing product development Flexicon Ltd reserve the right to alter product specifications without prior notice. Data given is correct at time of compilation. Product specification and application data is for guidance only and does not constitute a warranty of any kind, either expressed or implied for Flexicon products or their suitability for a specific purpose. Third party approvals maybe limited to certain sizes within a product range.