

**PLEASE READ THESE INSTRUCTIONS CAREFULLY BEFORE INSTALLATION
LEAVE A COPY FOR THE USER/MAINTENANCE ENGINEER FOR FUTURE REFERENCE
We recommend this fitting is installed by a qualified Electrician**

IMPORTANT INFORMATION

- Installation should be carried out in accordance with the latest edition of the IET Wiring Regulations (BS7671) and taking into consideration the latest Building Regulations. If in doubt, consult a qualified electrician.
- Before commencing any installation or maintenance work, ensure electricity is switched off at the mains.
- Please take note of the rated voltage for the fitting.
- Please take note of the IP (Ingress Protection) rating of the fitting when deciding location.
- Always allow sufficient slack in the supply cable in order to remove the fitting from its position for any future maintenance.
- Please make sure you are safe when working at height.
- Employ the latest safety regulations and procedures to ensure the safe installation of the fitting.



PLEASE NOTE: LED panel not supplied - available separately.

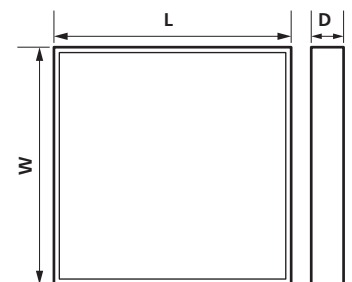
TECHNICAL FEATURES

- Aluminum frame
- Suitable for: Fixing Panels in all colours FP66, FP123, FP126 and FP66LG
- c/w M4 x 25mm fixing screws and wall plugs

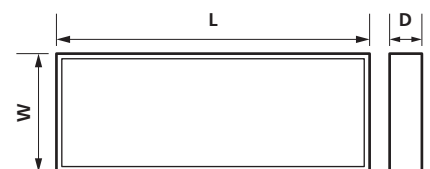
INSTALLATION INSTRUCTIONS

1. Determine the location in which the panel is to be mounted, take care to avoid hidden pipe work and cables.
2. Remove the frame component parts from the box and recycle the packaging retaining the instructions for later use.
3. Lay out the side panels of the frame on the floor and using the corner clips; clip the frame together.
4. Position the frame in the required location on the ceiling.
5. Using the frame as a template mark the mounting points.
6. Drill and plug the mounting holes as required.
7. Screw the frame into position.
8. Remove one end of the frame only.
9. Ensure the power is switched off ensure the power feed for the panel is accessible.
10. Slide the panel half way into the surface frame.
11. Using the wiring instructions provided with the panel wire the panel to the power supply
12. Push the panel completely into the frame ensuring there are no trapped cables of leads.
13. Relocate the removed end of the frame and ensure all is secure.
14. Switch on the power supply to test the panel.

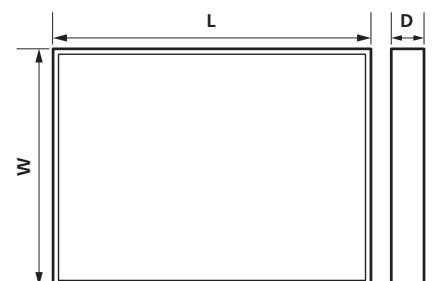
NOTE: The Panel Surface Frame is not suitable for use with the panel emergency packs.



FPSF66



FPSF123

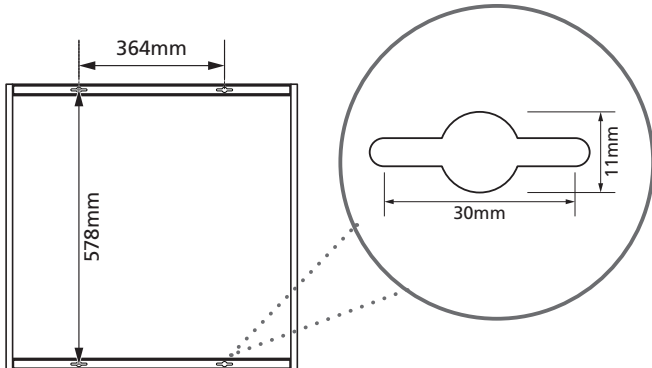


FPSF126

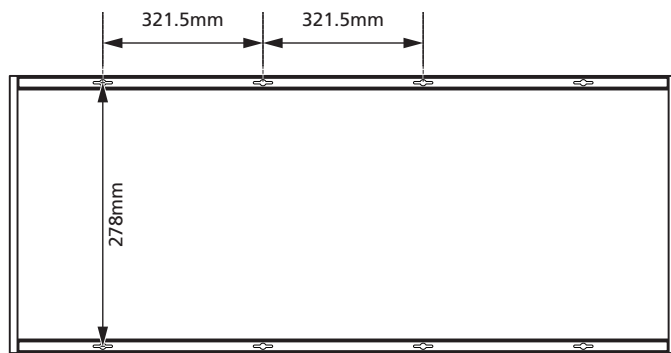
Product Ref	Description	Fixing Centres (mm)	No. of fixing points	Weight (kg)	L	W (mm)	D
FPSF66	600 x 600mm LED Panel Surface Mounting Frame	364 x 578	4	0.55	600	600	70
FPSF123	1200 x 300mm LED Panel Surface Mounting Frame	321.5 x 278	8	0.74	1200	300	70
FPSF126	1200 x 600mm LED Panel Surface Mounting Frame	321.5 x 578	8	0.83	1200	600	70



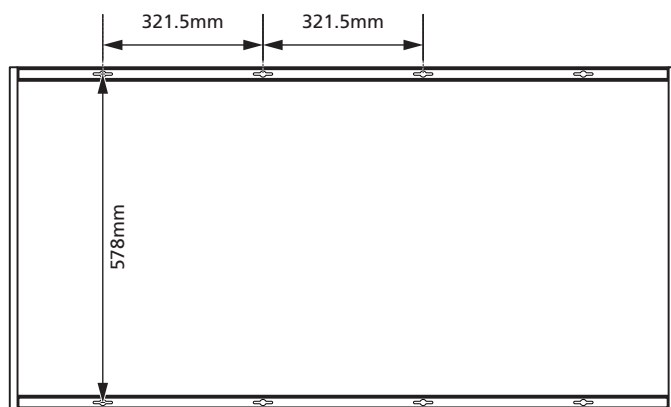
FIXING DIMENSIONS



FPSF66 - 4 fixing points



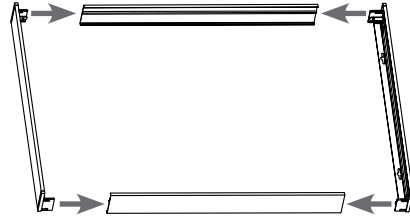
FPSF123 - 8 fixing points



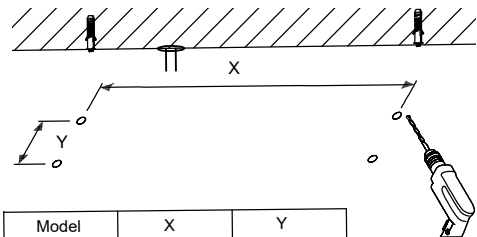
FPSF126 - 8 fixing points

ASSEMBLY STAGES

STAGE 1 - Assemble the frame

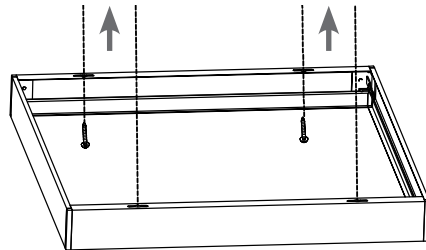


STAGE 2 - Mark the mounting points

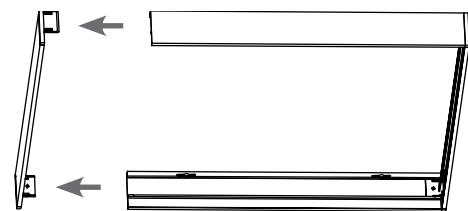


Model	X	Y
600*600	364mm	578mm
1200*300	321.5mm	278mm
1200*600	321.5mm	578mm

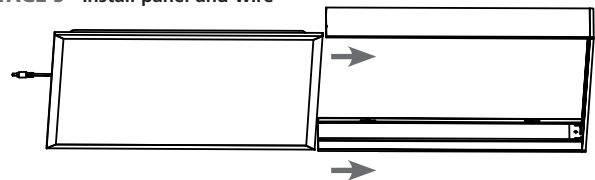
STAGE 3 - Mount to the ceiling



STAGE 4 - Remove the end panel



STAGE 5 - Install panel and wire



STAGE 6 - re-attach the end panel and connect power

