

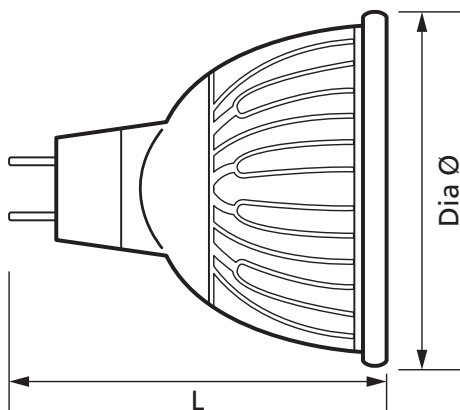
5W 12V MR16 LED Lamp 4000K

Product Ref:

CRLED/MR16/5CW

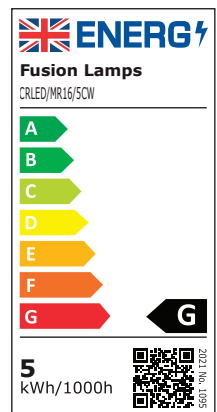
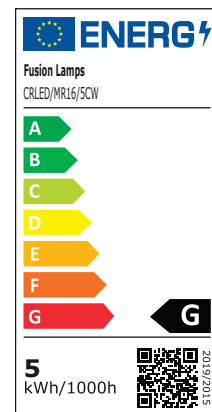
Technical Features:

- Low power consumption
- Long lamp life
- Low surface temperature
- Up to 90% energy savings
- No UV output • Retrofit size
- Suitable replacement for a 50W halogen lamp
- Broadly compatible with existing electromagnetic and electronic halogen transformers
- Ideal for accent and general lighting (eg; hotels, shops, offices)
- Suitable for use with most standard 12V transformers



Product Specification

Beam Angle	38°
Cap Type	GU5.3
Colour Temperature	4000K
Compliance	UKCA, CE
CRI	80
Dimmable	No
Energy Rating	G
Guarantee	3 Years
Lamp Life (L70/B50)	25000 hours
Lamp Type	LED Low Voltage
Lumens	400lm
Lumens (Useful) 90°	320lm
Mercury Content	0mg
Switching Cycles	100000
Voltage Rating	12V
Wattage	5W
Weight	0.035kg
Diameter Ø	50mm
Length	48mm



Errors and omissions excepted (E&OE). All information is subject to change without notice and is correct at the time of print. Refer to issue number and date below.

Tel: +44 (0)1302 822 833 • fusion-lamps.co.uk