

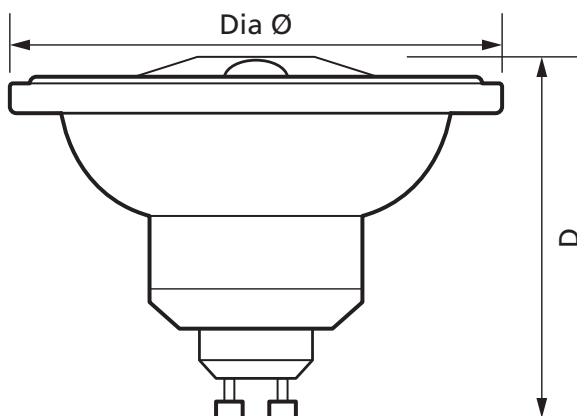
12W GU10 LED AR111 Lamp 3000K

Product Ref:

EDLED/AR111/12GU10

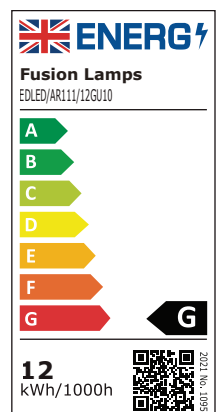
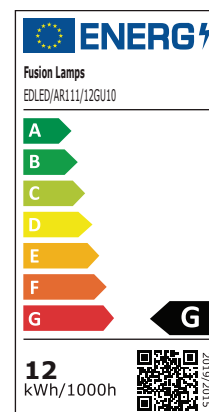
Technical Features:

- Low power consumption
- Long lamp life
- Low surface temperature
- Up to 75% energy savings
- Suitable replacement for a 50W halogen lamp
- Retrofit size
- Ideal for accent, retail and display lighting



Product Specification

Beam Angle	24°
Cap Type	GU10
Colour Temperature	3000K
Compliance	UKCA, CE
CRI	80
Dimmable	No
Energy Rating	G
Guarantee	3 Years
Lamp Life (L70/B50)	25000 hours
Lamp Type	LED AR111
Lumens	950lm
Lumens (Useful) 90°	830lm
Mercury Content	0mg
Switching Cycles	100000
Voltage Rating	230V
Wattage	12W
Weight	0.139kg
Depth	73mm
Diameter Ø	111mm



Errors and omissions excepted (E&OE). All information is subject to change without notice and is correct at the time of print. Refer to issue number and date below.

Tel: +44 (0)1302 822 833 • fusion-lamps.co.uk