

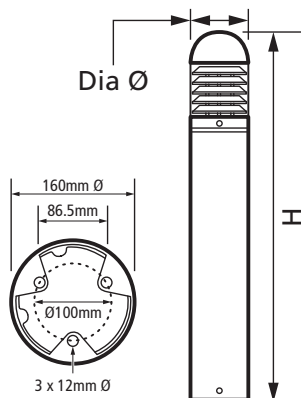
## BOLLARD

### Commercial Bollard ES

Product Ref: **FBOLLARDES**

#### Technical Features:

- Aluminium black powder coated body
- E27 lamp holder
- Supplied with X3 "J" bolts & fixings
- Pre-wired with 1m flex cable



## Product Specification

Cap Type	ES/E27
Class	Class I
Colour	Black
Compliance	UKCA, CE
Frequency	50/60Hz
Guarantee	5 years
IK Rating	IK05
IP Rating	IP65
Lamp(s) Included	No
Material	Aluminium + PMMA
Mounting	3 x J bolts and fixings(supplied)
Standards	EN 60598-1/-2-1
Suitable For	GLS E27 Lamp
Voltage Rating	230V
Wattage	Lamp dependant (LED GLS A60 15W Max)
Weight	4.500kg
Diameter Ø	160mm
Height	1015mm

Errors and omissions excepted (E&OE). All information is subject to change without notice and is correct at the time of print. Refer to issue number and date below.

Tel: +44 (0)1302 769 966