

## ADJUSTABLE DOWNLIGHT

### 27W LED Circular Adjustable Downlight

Product Ref: **FCAD27**

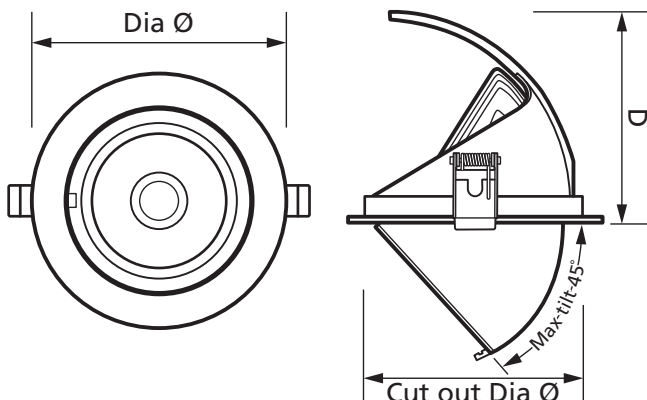
#### Technical Features:

- Die cast aluminium white powder coated body
- Pre-wired plug and play driver
- Adjustable 45° head
- Beam angle: 38°



## Product Specification

Beam Angle	38°
Class	Class 2
Colour	White
Colour Temperature	4000K
Compliance	UKCA, CE
CRI	80
Cut Out	110mm
Finish	Powder Coated
Frequency	50/60Hz
Guarantee	3 Years
IP Rating	IP20
Lamp Life (L70/B50)	25,000 hours
Lumens	2300lm
Material	Die Cast Aluminium
Mounting	Recessed
Operating Temperature	-10 - +40°C
Voltage Rating	230V
Wattage	27W
Weight	0.670kg
Depth	108mm
Diameter Ø	125mm



Errors and omissions excepted (E&OE). All information is subject to change without notice and is correct at the time of print. Refer to issue number and date below.

Tel: +44 (0)1302 769 966